

American Standard

MONTERREY

**SPREAD LAVATORY
FAUCETS**

Installation Instructions

6540.140 6542.145
6540.160 6540.175
6540.168 6542.175
6540.170 6540.270
6542.140 6540.275
6542.170 6540.278
6540.277



Certified to comply with ANSI A112.18.1M
M968508 (11/15)

*Thank you for selecting American-Standard...
the benchmark of fine quality for over 100 years.*

*To ensure that your installation proceeds smoothly—
please read these instructions carefully before you begin.*

Recommended tools



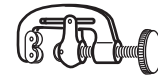
Screwdriver



Channel Locks



Adjustable Wrench



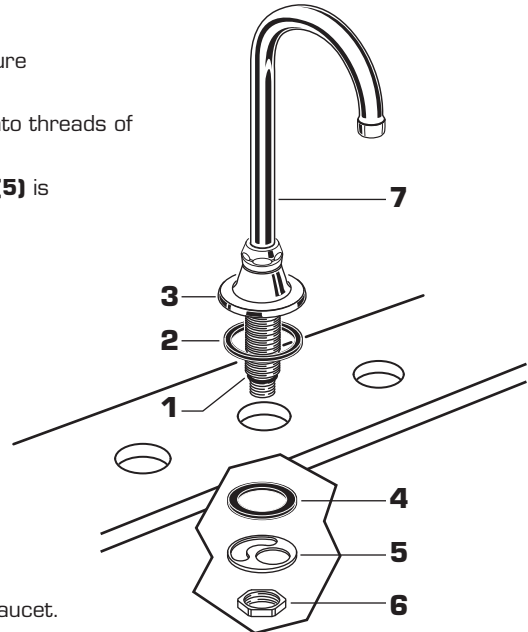
Tubing Cutter

1 SPOUT OR BASE ASSEMBLY

CAUTION

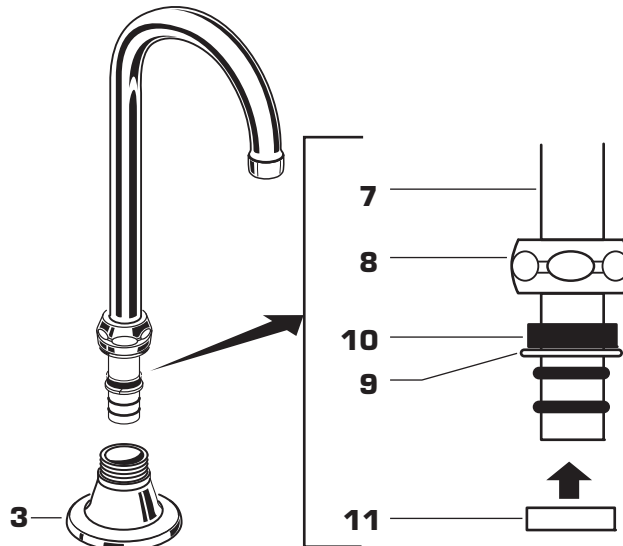
Turn off water at
main supply.

- Insert SPOUT SHANK (1) through center hole of mounting surface, making sure RUBBER GASKET (2) is properly positioned in SPOUT BASE (3).
- Assemble RUBBER WASHER (4), BRASS WASHER (5), and LOCKNUT (6) onto threads of SPOUT SHANK (1) from underside of mounting surface.
- Align SPOUT (7) and tighten LOCKNUT (6). Be sure slot in BRASS WASHER (5) is positioned to the rear as shown.



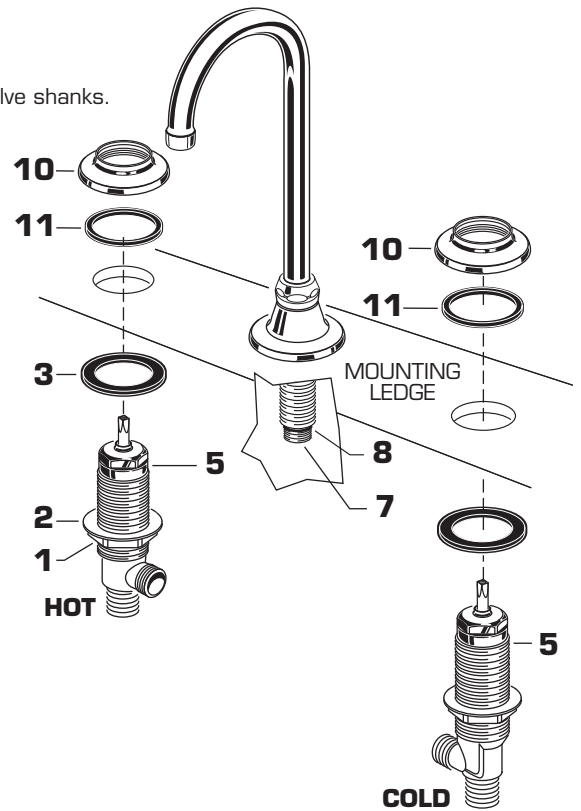
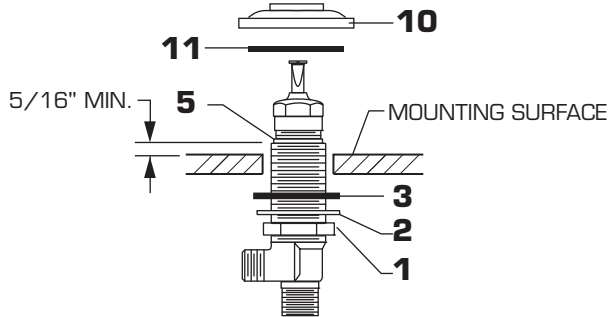
1a TO CHANGE SPOUT TO A SWIVEL SPOUT:

- Unscrew SPOUT NUT (8) and remove SPOUT (7).
- Take SPOUT CLIP (9) off SPOUT (7) and remove RUBBER RING (10).
- Replace RUBBER RING (10) with separate PLASTIC RING (11) packed with faucet.
- Put SPOUT CLIP (9) on SPOUT (7).
- Reassemble SPOUT (7) to SPOUT BASE (3).



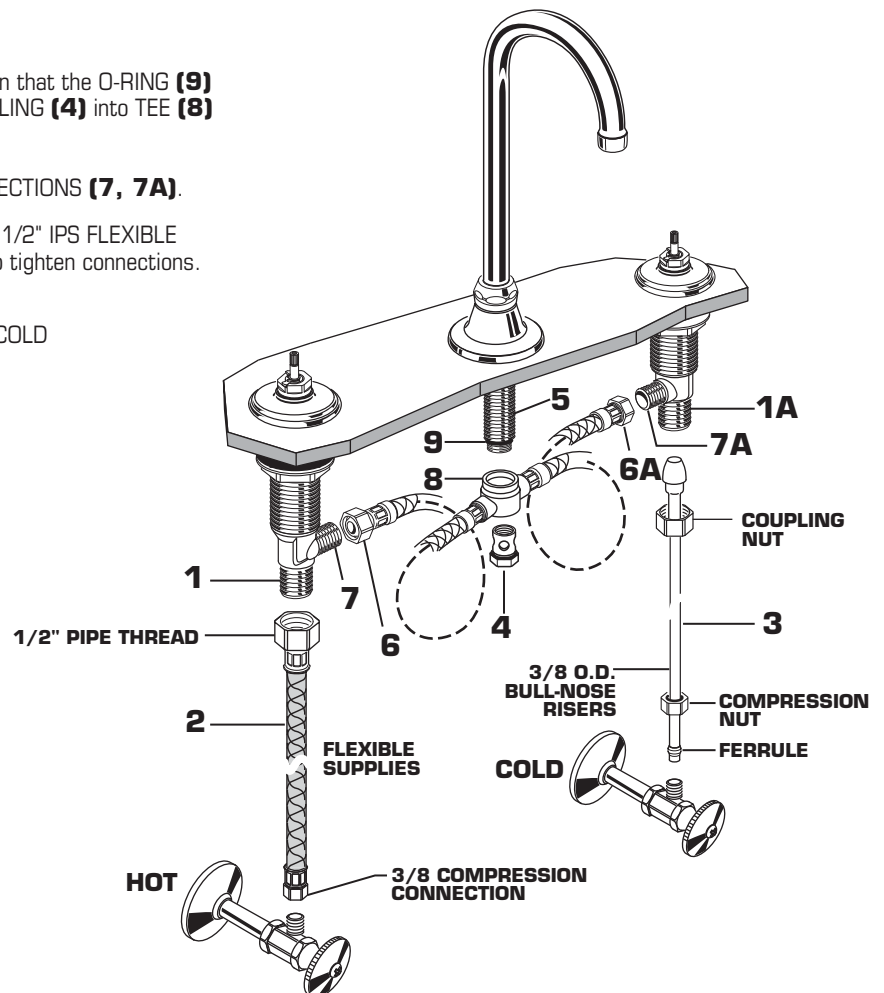
2 VALVE ASSEMBLY WITH FLEXIBLE HOSE VALVE CONNECTIONS

- Install LOCKNUTS (1), BRASS WASHERS (2) and RUBBER WASHERS (3) onto valve shanks.
- Insert VALVES (5) into mounting holes from underside of ledge.
- Place RUBBER RING (11) into DECK ADAPTERS (10) and thread onto valves until snug against internal stop.
- Tighten LOCKNUT (1) to secure VALVE (5) position.



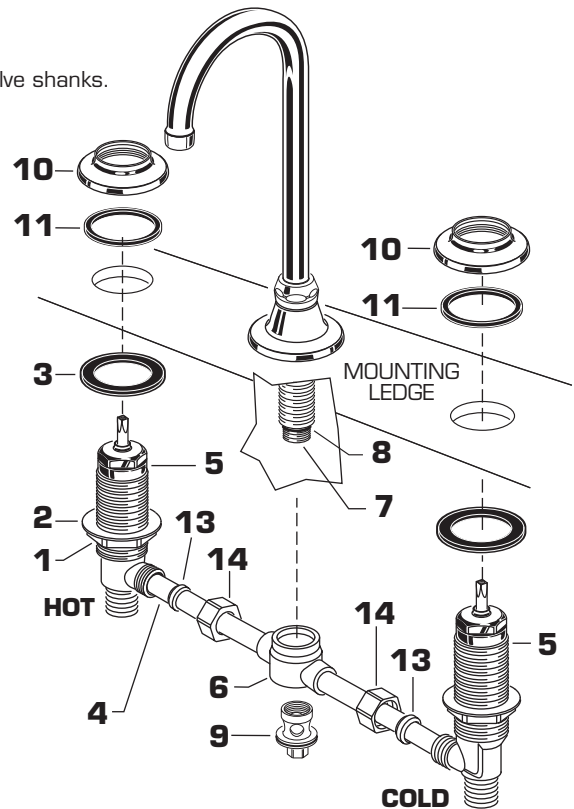
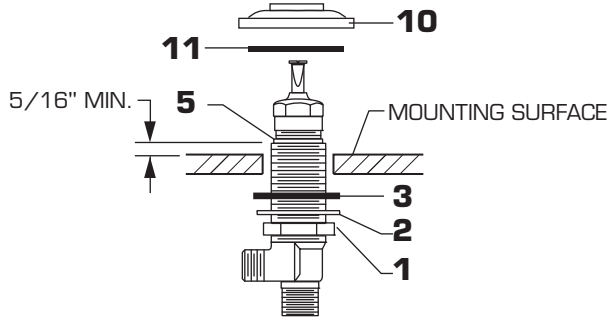
2a WATER SUPPLY CONNECTIONS

- Press TEE (8) onto SPOUT SHANK (5) making certain that the O-RING (9) is properly seated on SPOUT SHANK (5). Push COUPLING (4) into TEE (8) and attach to SPOUT SHANK (5) and tighten.
- Thread HOSE CONNECTOR (6, 6A) to VALVE CONNECTIONS (7, 7A).
- Connect water supply to VALVE BODIES (1, 1A) with 1/2" IPS FLEXIBLE SUPPLIES (2) (not included). Use adjustable wrench to tighten connections. Do not over tighten.
- Connect HOT water supply to inlet of left SHANK and COLD water supply to right SHANK.



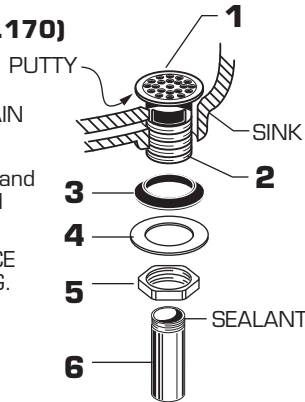
2b VALVE ASSEMBLY WITH RIGID VALVE CONNECTIONS

- Install LOCKNUTS (1), BRASS WASHERS (2) and RUBBER WASHERS (3) onto valve shanks.
- Push TUBING (4) ends into VALVE (5) side outlets. Insert VALVES (5) into mounting holes from underside of ledge.
- Press TEE (6) onto SPOUT SHANK (7) making certain that the O-RING (8) is properly seated on SHANK (7). Push COUPLING (9) into TEE (6) and attach to SPOUT SHANK (7) and tighten.
- Place RUBBER RING (11) into DECK ADAPTERS (10) and thread onto valves until snug against internal stop.
- Tighten LOCKNUT (1) to secure VALVE (5) position.
- Slide FERRULE (13) and COUPLING NUT (14) to outlet of VALVE (5) and tighten COUPLING NUT (14) firmly.
- Connect HOT water supply to inlet of left VALVE and COLD water supply to inlet of right VALVE using appropriate connector.



3 DRAIN ASSEMBLY (6542.140/.170)

- Apply a bead of PUTTY around underside of DRAIN FLANGE (1) flange. Insert DRAIN PLUG (2) into SINK drain hole.
- Hold DRAIN PLUG (2) to prevent turning and assemble GASKET (3), WASHER (4), and LOCKNUT (5) from underneath sink.
- Apply sealant to threaded end of TAILPIECE and thread into lower end of DRAIN PLUG. Connect other end to trap.



4 INSTALL HANDLES

- Turn VALVES (1) to off position.
- Insert ADAPTOR (8) with larger diameter over the VALVE STEM (4).
- Align LEVER (2) or WRIST BLADE HANDLE (3) and install onto VALVE STEM (4).
- Insert BLUE INDEX (5) into cold valve (right side) and red INDEX (6) into hot valve (left side).
- Insert HANDLE SCREW (7) into HANDLES and tighten with screwdriver.



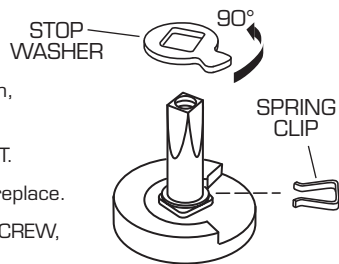
5 TEST INSTALLED FAUCET

- Remove AERATOR.
- With handle in OFF position, turn on water supplies and check all connections for leaks.

- Operate both handles to flush water lines thoroughly. Check spout mounting and hose connections for leaks.
- Turn handles into OFF position and replace AERATOR.

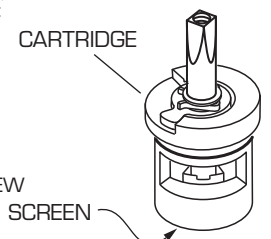
6 SERVICE

- To change direction of handle rotation, proceed as follows:
 - Turn valve to OFF position.
 - Remove HANDLE and BONNET NUT.
 - Remove SPRING CLIP.
 - Lift STOP WASHER, turn 90° and replace.
 - Replace SPRING CLIP.
 - Replace BONNET NUT, HANDLE, SCREW, and INDEX.
- AERATOR may accumulate dirt causing distorted and reduced water flow. Remove AERATOR and rinse clean.



- If spout drips, operate handles several times from OFF to ON position. Do not force - handles turn only 90°.

- Plastic SCREEN in CARTRIDGE may accumulate dirt causing reduced water flow. To clean, first turn off hot and cold water supplies, then:
 - Remove HANDLE and BONNET NUT.
 - Remove CARTRIDGE by pulling up.
 - Thoroughly rinse plastic SCREEN at base of CARTRIDGE.
- Replace CARTRIDGE until flange is tight against valve body.
- Turn valves OFF.
- Replace BONNET NUT, HANDLE, SCREW and INDEX.



CARE INSTRUCTIONS:

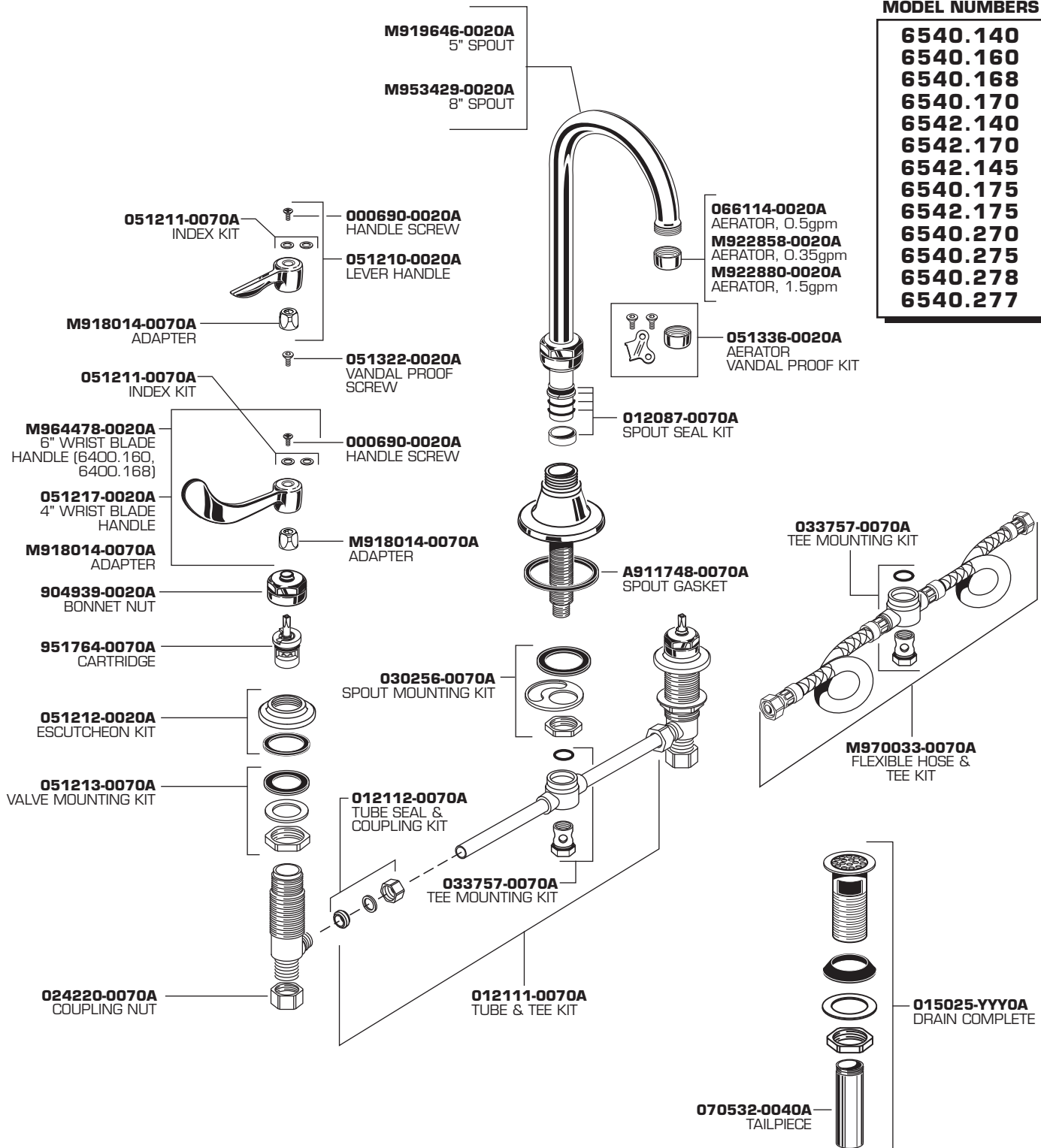
DO: SIMPLY RINSE THE PRODUCT CLEAN WITH CLEAR WATER. DRY WITH A SOFT COTTON FLANNEL CLOTH.
DO NOT: DO NOT CLEAN THE PRODUCT WITH SOAPS, ACID, POLISH, ABRASIVES, HARSH CLEANERS, OR A CLOTH WITH A COARSE SURFACE.

American Standard

MONTERREY
SPREAD LAVATORY
FAUCETS

MODEL NUMBERS

- 6540.140
- 6540.160
- 6540.168
- 6540.170
- 6542.140
- 6542.170
- 6542.145
- 6540.175
- 6542.175
- 6540.270
- 6540.275
- 6540.278
- 6540.277



HOT LINE FOR HELP

For toll-free information and answers to your questions, call:
1 (800) 442-1902

Mon. - Fri. 8:00 a.m. to 8:00 p.m. EST
Saturday 10:00 a.m. to 4:00 p.m. EST

IN CANADA 1-800-387-0369
(TORONTO 1-905-306-1093)

Weekdays 8:00 a.m. to 7:00 p.m. EST

IN MEXICO 01-800-839-1200



Appropriate finish code

CHROME 002

Product names listed herein are
trademarks of AS America, Inc.
© AS America, Inc. 2015