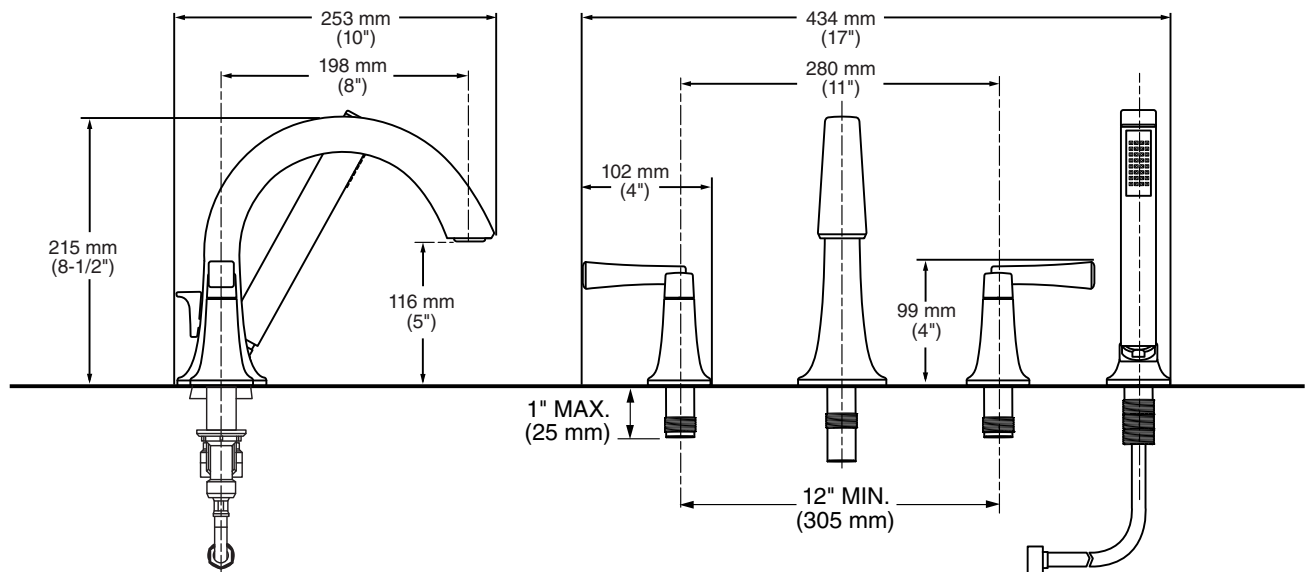


MODEL NUMBER:

- T353900 Roman Tub Filler Trim
LESS Personal Shower
- T353901 Roman Tub Filler Trim
WITH Personal Shower

For use with Flash™ rough valves



GENERAL DESCRIPTION:

Installs with Flash rough valve platform. Washerless 1/4 turn ceramic disc valve cartridges. Durable brass spout. Metal lever handles. Trim kit provides an additional 1" installation adjustability for finished deck.

PRODUCT FEATURES:

Brass Construction: Durable. Ideal for prolonged contact with water.

Ceramic Disc Valve Cartridge: Assures a lifetime of drip-free performance.

SUGGESTED SPECIFICATION

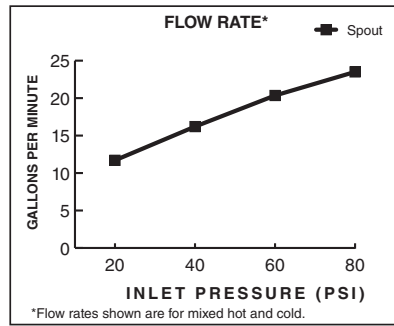
Two handle deck-mount tub filler shall feature cast brass construction. Shall also feature 1/4 turn washerless ceramic disc valve cartridges. Fitting shall be American Standard Model # T35390_.....

CODES AND STANDARDS

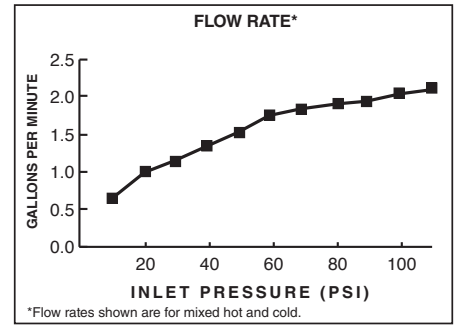
These products meet or exceed the following codes and standards:

ASME A112.18.1
CSA B125.1

Check local plumbing codes.
Some installations may require a vacuum breaker.



TUB SPOUT FLOW

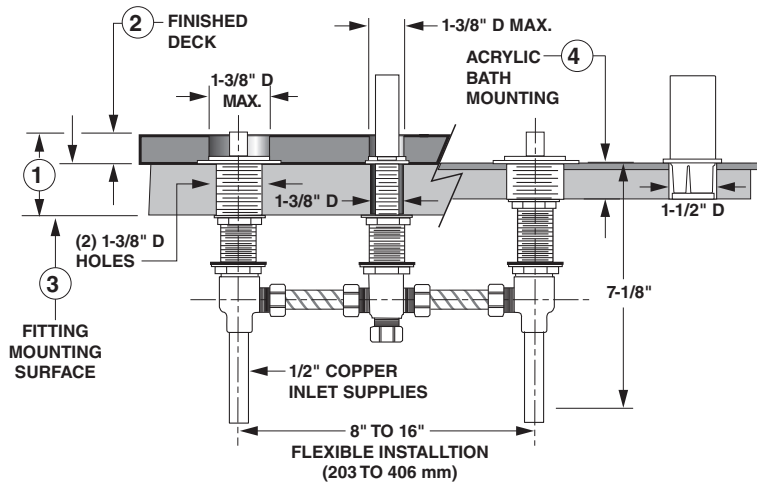


HAND SHOWER FLOW

| Product Number | Description | Finish Options | | | |
|----------------|---|-----------------|----------------|-----------------|---------------|
| | | Polished Chrome | Brushed Nickel | Polished Nickel | Legacy Bronze |
| T353900 | Roman Tub Filler Trim LESS Personal Shower. | 002 | 295 | 013 | 278 |
| T353901 | Roman Tub Filler Trim WITH Personal Shower. | | | | |

Meets the American Disabilities Act Guidelines and **ANSI A117.1** Requirements for the physically challenged.

- R900 Flash™ Roman Tub Filler**
Rough Body – Less Personal Shower
- R910 Flash Roman Tub Filler**
Rough Body – WITH Personal Shower



- 1. DECK THICKNESS**
TOTAL DECK THICKNESS
UP TO 2-1/2"
- 2. FINISHED DECK**
FINISHED DECK VARIABILITY
ACCOMMODATES DECKING
MATERIAL (TILE, MARBLE,
CORIAN®...) TO 1" THICK
- 3. FITTING MOUNTING SURFACE**
ADJUSTABILITY, TO 1-1/2" THICK
- 4. ACRYLIC BATHS**
ADJUSTABILITY, TO 1-1/2" THICK

