

RESORT 550 WALL-HUNG

Cat. No.
4-107X



Faucet Not Included



Mounting hardware

Width: 21-3/4"
Depth: 18-1/8"
Height: 6-1/4"

Interior Dimensions:

Basin interior:	17" X 11-1/4"
Basin depth:	5-3/4"
Mount holes cc:	11"
Back of basin to center of faucet:	2"
Back of basin to center of drain:	8"
Faucet hole diameter:	1-3/8"

Features:

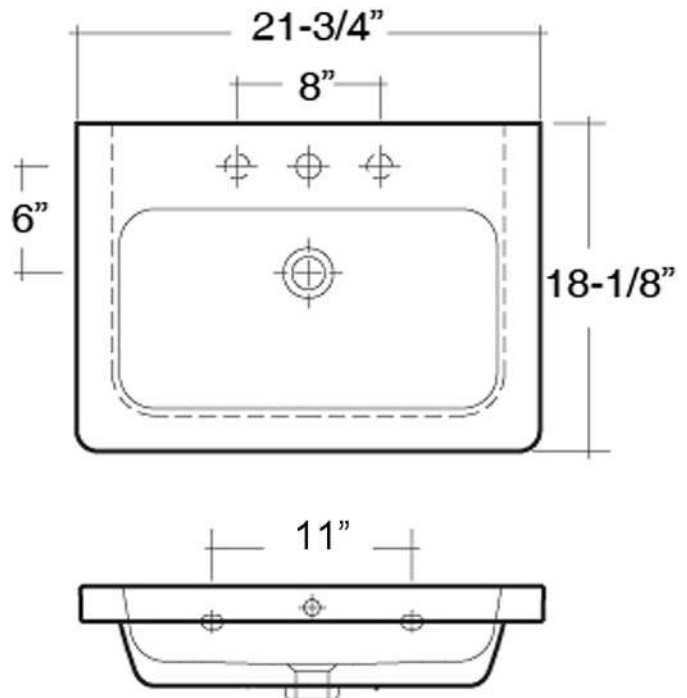
- ▶ Vitreous China
- ▶ Available for 1 hole (**4-1071WH**), 4" centerset (**4-1074WH**) and 8" widespread (**4-1078WH**)
- ▶ Pre-drilled overflow hole
- ▶ Mounting hardware included

Colors:

WH White

Compliance Certification

Meets or exceeds the following specifications: ASME A112.19.2 2013 and CSA B45.1-13 for plumbing fixtures.



Dimensions of fixture are nominal and may vary within the range of tolerances established by ANSI Standard A112.19.2.2013. Dimensions and specifications subject to change without notice.