

954

Hinged Shower Seat

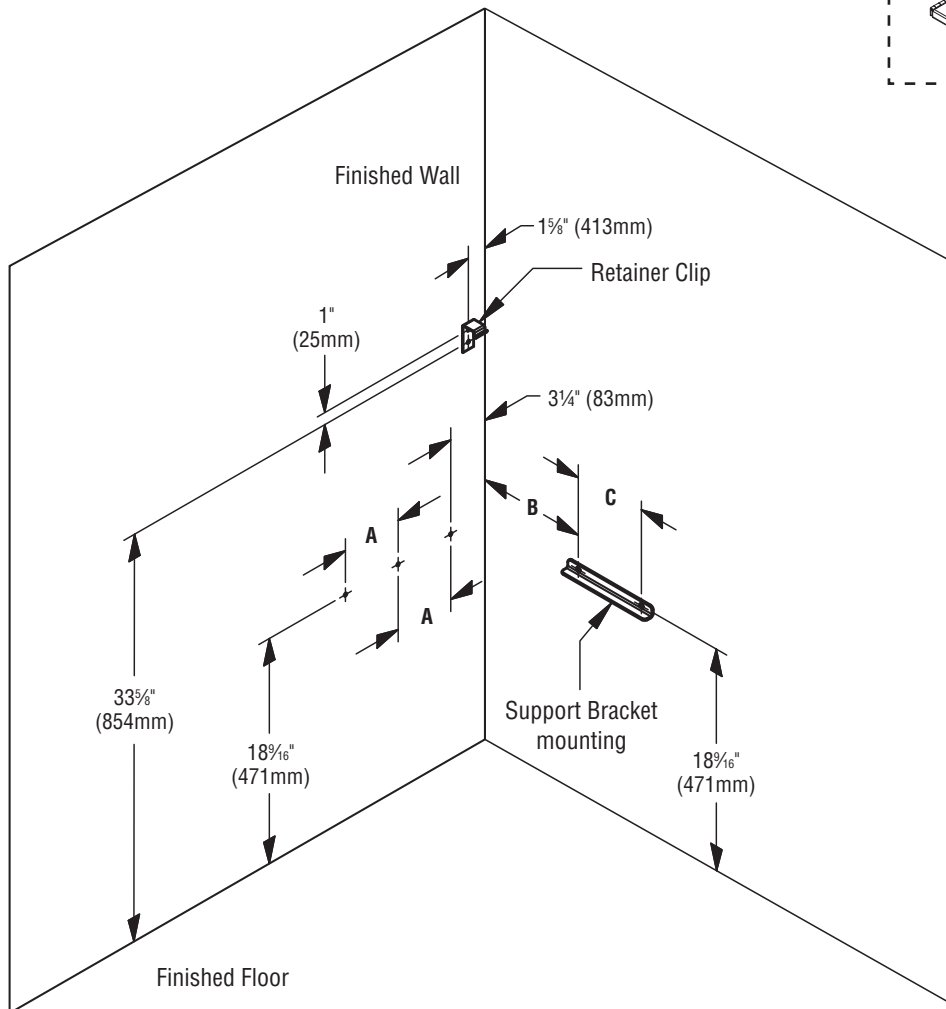
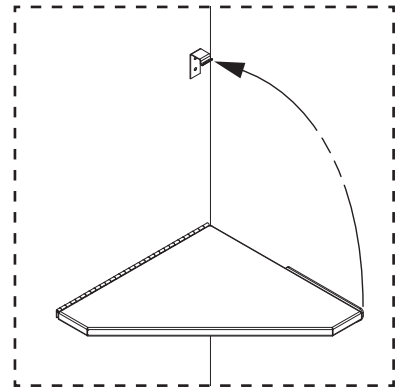
Installation



WARNING: To ensure adequate support for the shower seat, all anchoring devices (supplied by installer) must be appropriate for specific wall construction. Bradley cannot assume responsibility for an improperly installed shower seat. Provide appropriate concealed backing or anchors (as specified by others) before finishing the wall.

Installation

1. Measure and scribe the five shower seat mounting holes and two retainer clip mounting holes.
2. Mount the shower seat and support bracket with appropriate hardware provided by the installer.
3. Mount the seat retainer clip with appropriate hardware provided by the installer.



| Mounting Hole Location Dimensions | |
|-----------------------------------|------------|
| Dimension A | 5" (127mm) |
| Dimension B | 9" (229mm) |
| Dimension C | 6" (152mm) |