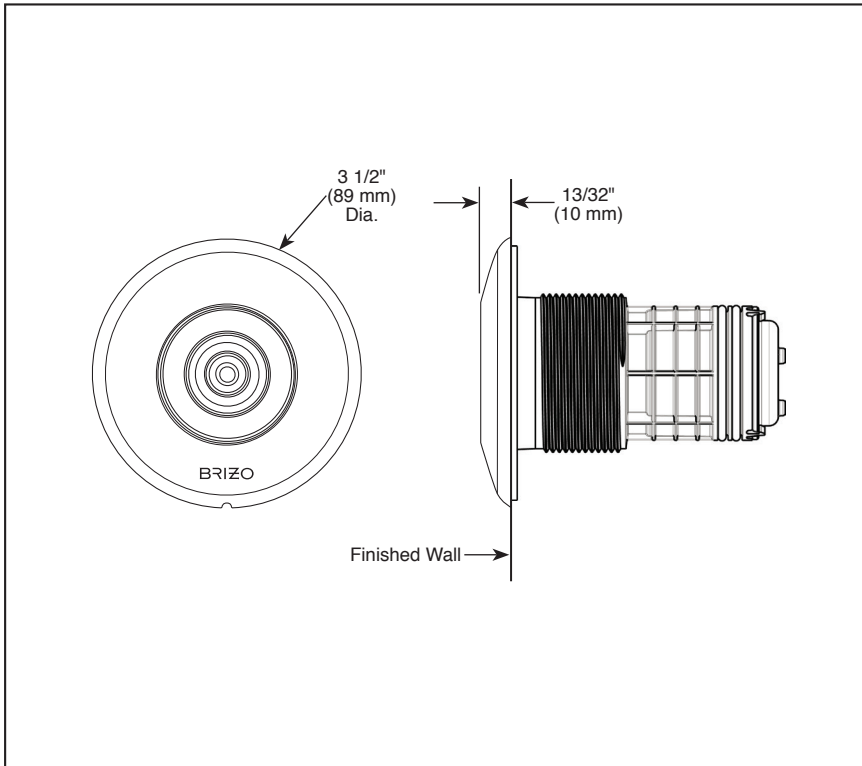
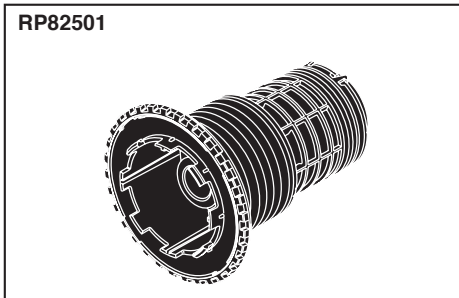


Submitted Model No.: _____

Specific Features: _____



▲ Designate proper finish suffix



BRIZO®

HYDRACHOICE™ MAX ROUND BODY SPRAY TRIM

■ 1.5 GPM

STANDARD SPECIFICATIONS

- Max. 1.50 gpm @ 80 PSI, 5.70 L/min @ 550 kPa.
- Flush mount installation.
- Must also order rough (R84100) and spray heads (SH84100▲, SH84101▲, SH84102▲, or SH84103▲) separately.
- Optional (RP82501) reduces flow rate to 1.00 gpm @ 80 psi, 3.80 L/min @ 550 kPa.

WARRANTY

- Lifetime limited warranty on parts (other than electronic parts and batteries) and finishes: or, for commercial users, for 5 years from date of purchase.
- 5 year limited warranty on electronic parts (other than batteries); or, for commercial users, for 1 year from the date of purchase. No warranty is provided on batteries.

COMPLIES WITH:

- ASME A112.18.1 / CSA B125.1

Brizo Kitchen & Bath Company reserves the right (1) to make changes in specifications and materials, and (2) to change or discontinue models, both without notice or obligation. Dimensions are for reference only. See current full-line price book or www.brizo.com for finish options and product availability.

BSP-B-T84613 Rev. C

Brizo Kitchen & Bath Company
Indianapolis, Indiana 46280
A Division of Masco Corporation of Indiana
© 2016 Brizo Kitchen & Bath Company