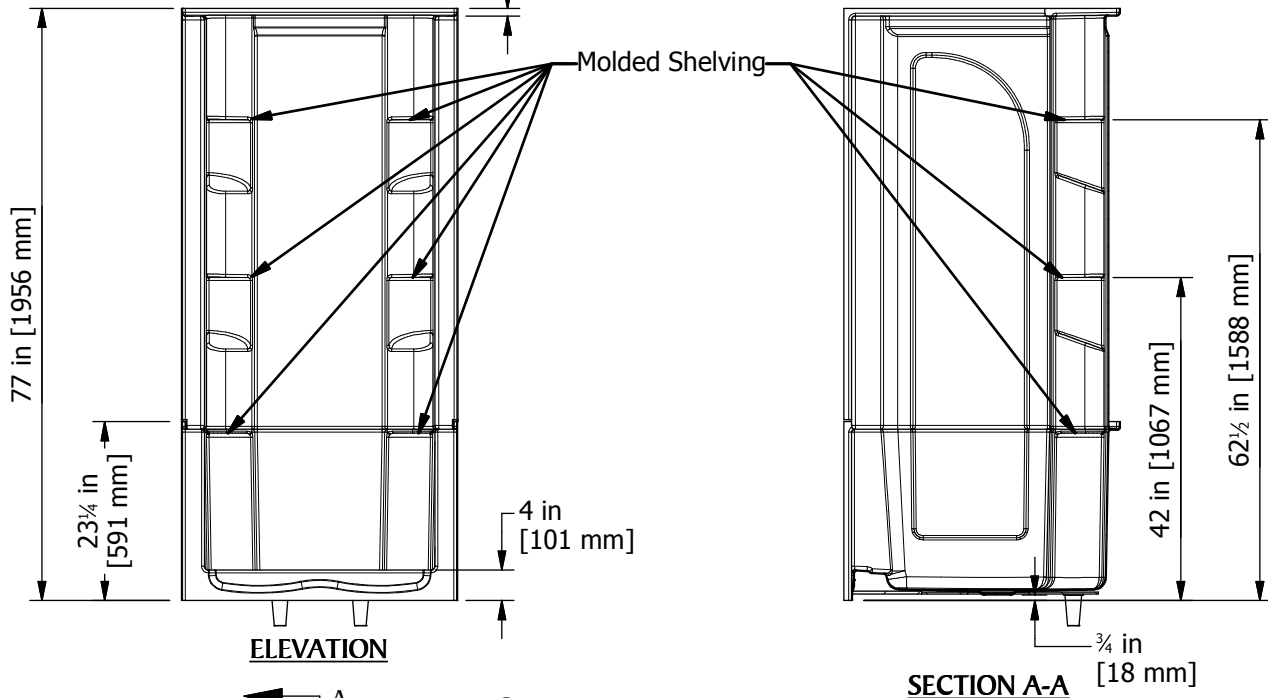


## Quantum Series

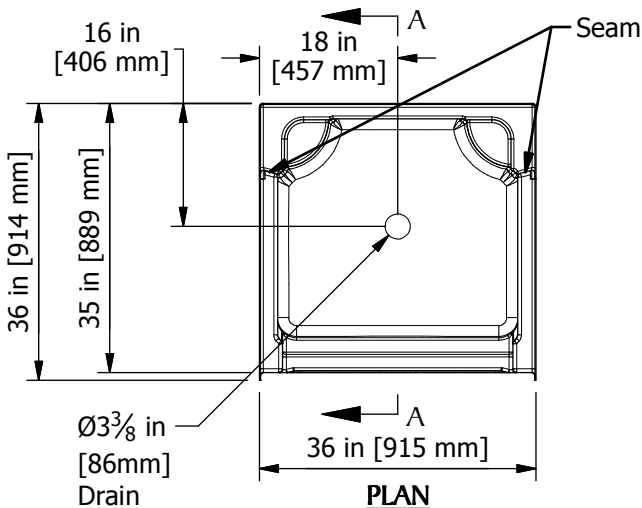
1 in [25 mm]

Nailing Flange



ELEVATION

SECTION A-A



PLAN

### PRODUCT SPECIFICATIONS:

- \* Product complies with NAHB, HUD UM-73A, and ANSI-Z124.1.2.
- \* Special installation instructions for this unit must be followed carefully.
- \* Reinforced & slip resistant floor.
- \* Molded corner shelving.
- \* Integral 1" [25mm] nailing flange.
- \* Door Opening: W-29-3/4" [756mm]  
H-71" [1803mm]
- \* All dimensions +/- 1/2" [12.8mm]
- \* Clarion Bathware reserves the right to change design and/or dimensions.
- \* Dimensions are the same for all versions of this model.  
Which Include 4MS30C.

*36" [914mm] 4-Piece Shower  
w/ 4" [102mm] Threshold & Molded Shelving  
CENTER DRAIN*

## 4S20C

36" [914mm] 4-Piece Shower w/ 4" [101mm] Threshold, Center Drain & Molded Shelving

**Clarion**  
BATHWARE  
44 Amsler Ave.  
Shippenville, PA 16254

Phone: (814) 226-5374  
Toll Free: (800) 576-9228  
Fax: (814) 226-0730  
www.clarionbathware.com

Signatures For Approval:

Customer: \_\_\_\_\_  
Arch./Engr: \_\_\_\_\_

Date: \_\_\_\_\_

DWG. #  
4S20C-CUT

Quote #: \_\_\_\_\_  
Job Name: \_\_\_\_\_

Dwg. By: NMH  
Date: 4/26/2017