



A Moen Incorporated Brand

Edgestone®



Models:
46401GR, 46401BNGR



Water Saving Showerhead

DESCRIPTION

- Fixed mount showerhead
- Nonmetallic spray face and shell
- Brass swivel ball assembly
- Available in various finishes identified by suffix

FLOW

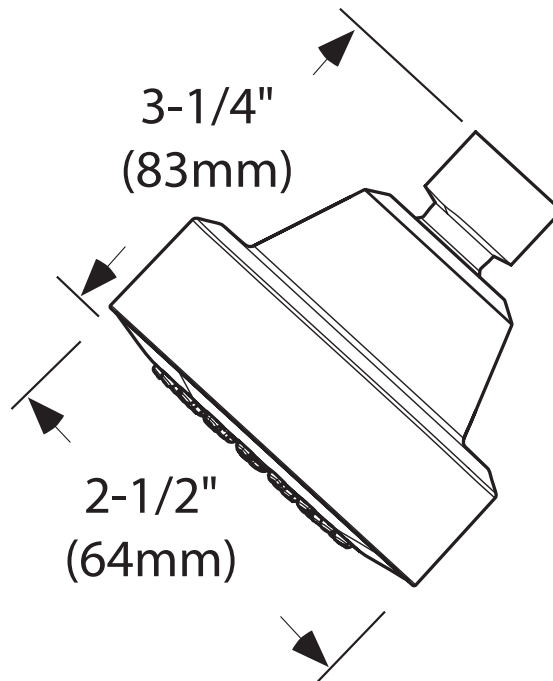
- Designed to deliver 1.75 gpm max (6.6 L/min) max

STANDARDS

- Third party certified to WaterSense®, ASME A112.18.1/CSA B-125.1 and all applicable requirements referenced therein

WARRANTY - RESIDENTIAL, COMMERCIAL

- Ten (10) year limited warranty against defects in materials and manufacturing workmanship
- Refer to the installation instructions enclosed with each CFG product or call 1-888-450-4910 for complete warranty information.



CRITICAL DIMENSIONS

(DO NOT SCALE)