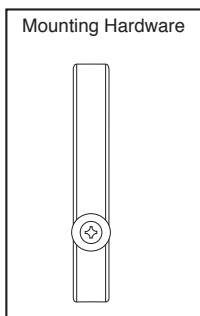
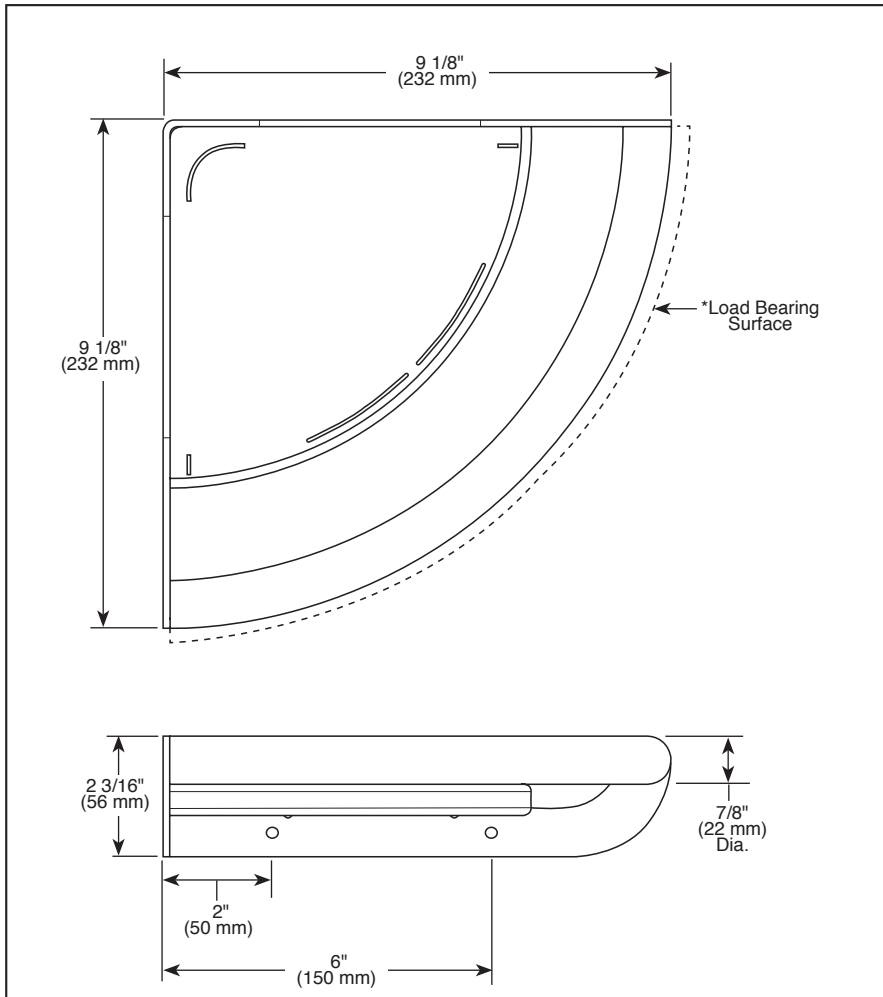


Submitted Model No.: _____

Specific Features: _____



▲ Designate Proper Finish Suffix

Delta reserves the right (1) to make changes in specifications and materials, and (2) to change or discontinue models, both without notice or obligation. Dimensions are for reference only. See current full-line price book or www.deltafaucet.com for finish options and product availability.

DSP-A-41516 Rev. A



ACCESSORIES

- Décor Assist™
- Contemporary Corner Shelf with Assist Bar

STANDARD SPECIFICATIONS:

- Wood blocking is preferable behind all wall surfaces. If wood blocking is not available, the supplied fasteners are recommended.
- Mounting hardware and mounting template included with product.
- 7/8" diameter assist bar.
- Meets ADA load requirement when properly installed.
- *Maximum 300 lbs. as an assist bar on indicated surface.

WARRANTY

- Lifetime Faucet and Finish Limited Warranty to the original consumer purchaser to be free from defects in material and workmanship.
- 5 Year Limited Warranty for usage in all industrial, commercial and business applications.



Liberty Hardware Manufacturing Corporation
 140 Business Park Drive
 Winston-Salem, NC 27107
 800.542.3789
www.libertyhardware.com
 © 2013 LHMC, A Masco Company