



# GERBER

## 43-018

## Viper™

# Two Handle Lavatory Faucet

GREEN

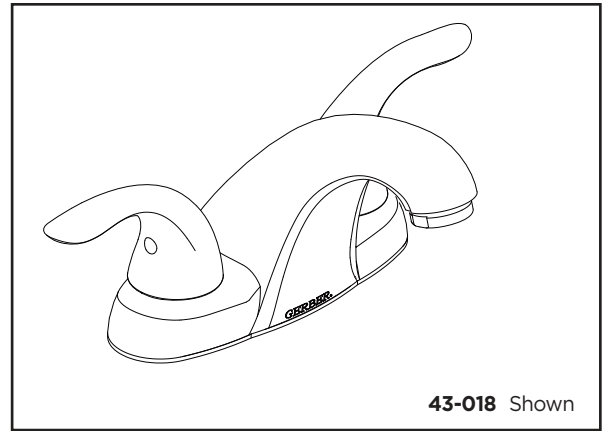


NSF/ANSI 372



### Features:

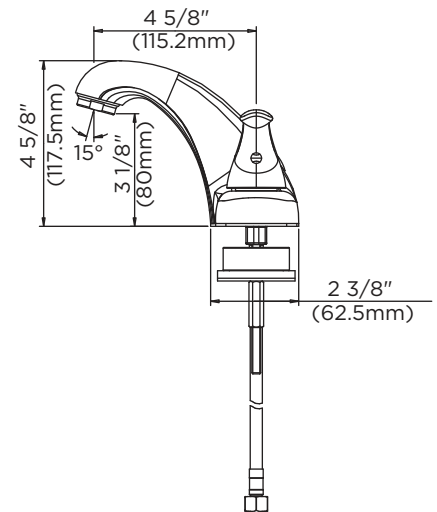
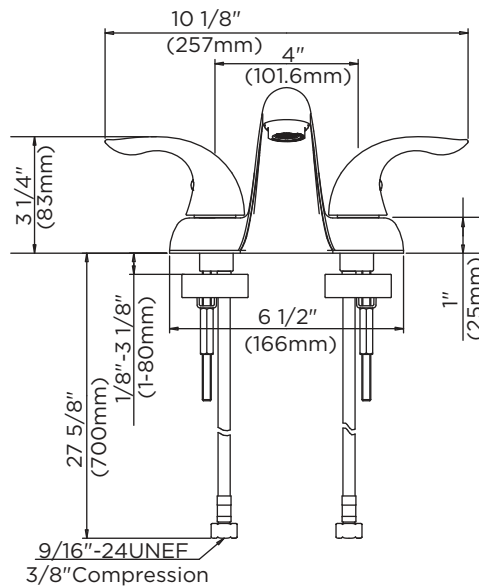
- Three hole installation
- Ceramic disc cartridges G0086986 & G0086987
- Chrome finish
- 1.2 gpm (4.5 L/min) maximum aerator GA50096654N @ 60 psi
- Lead free waterway per NSF/ANSI 372
- Fully ADA compliant
- Limited lifetime warranty
- Meets CEC requirements



43-018 Shown

### Standards & Certifications:

- ASME A112.18.1M
- NSF/ANSI 372
- IAPMO/cUPC
- ICC/ANSI A117.1
- EPA/Watersense
- Mass Code



### Catalog Numbers:

43-018 Less drain, Chrome

### Prefixes Available:

None

### Suffixes Available:

None

|                    |  |
|--------------------|--|
| Job Name           |  |
| Date               |  |
| Model Specified    |  |
| Quantity           |  |
| Customer           |  |
| Contractor         |  |
| Architect/engineer |  |

Gerber Toll Free Technical Support: 1-888-648-6466  
www.gerberonline.com