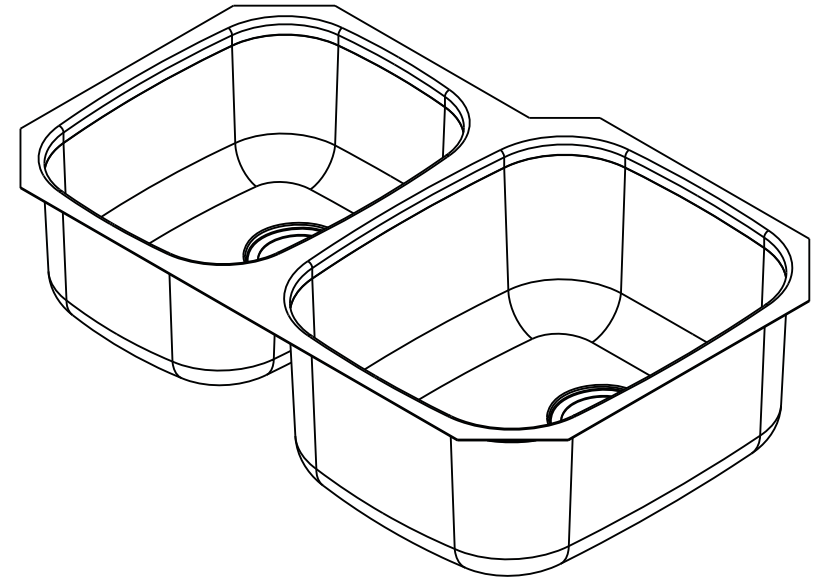
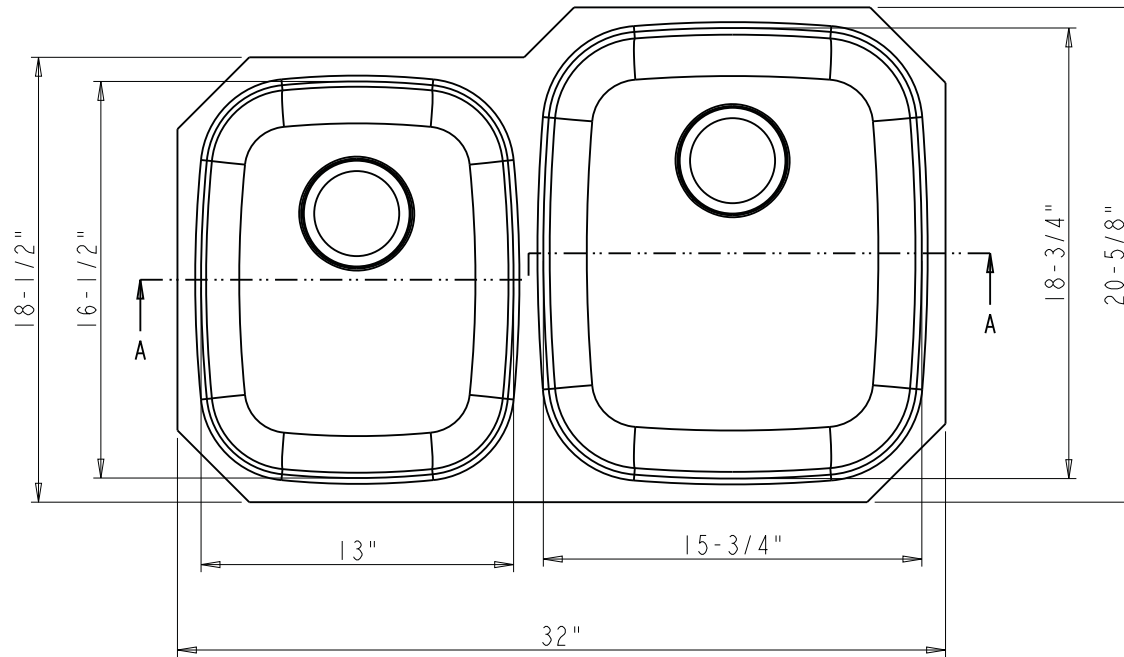


SECTION A-A  
SCALE 1:8



	ITEM:	801R-18		MATERIAL:	18 Gauge, 304SS	
	FINISH:			WEIGHT:	9	
<p><b>PROPRIETARY AND CONFIDENTIAL</b></p> <p>THE INFORMATION CONTAINED IN THIS DRAWING IS THE SOLE PROPERTY OF HARDWARE RESOURCES INC. ANY REPRODUCTION IN PART OR AS A WHOLE WITHOUT THE WRITTEN PERMISSION OF HARDWARE RESOURCES INC. IS PROHIBITED.</p>	<p>PROJECTION</p>		UNITS:	DRAWN BY:	DATE:	
	<p>TOLERANCE UNLESS OTHERWISE SPECIFIED:</p> <p>X ±0.20</p> <p>X.X ±0.10</p> <p>X.XX ±0.05</p> <p>ANGULAR: ±0.5°</p>		SIZE:	APPROVED BY:	DATE:	
	<p>DO NOT SCALE DRAWING</p>		SHEET:	RELEASE LEVEL:	REVISION:	