

SAVANNAH 6644

DESIGNER COLLECTION

H | S

PVC SYSTEMS INCLUDE:

- 4 Fully directional adjustable PVC jets
- 6 Swirling PVC jets
- Anti-vortex safety suction
- Color matched system trim
- HydroOzone ozone sanitation system
- Rigid PVC piping
- Self draining pump and system
- Soft Touch electronic on/off control with 30-minute integral times
- 2.25 HP single speed pump
- Cable waste and overflow
- Requires 20 Amp Dedicated GFCI



Soft, supple curves are the outstanding feature of the Savannah. Large enough for two, the molded armrests make this tub a welcome retreat for those who want to pamper themselves. The Savannah has six fully recessed swirling back jets. Soaking and Thermal Air models will not have back jet recesses. Visit <http://www.hydrosystem.com> for more details on our options and accessories.



OPTIONS

- Grab Bars
- Chromotherapy-LED Lighting System
- Chromotherapy-LED Mini Spotlights
- Microban Antibacterial Protection
- Extra high density fiberglass
- Available less jet recess (TO; TAS)
- Custom jet and pump locations
- Waterfall Fill Spout (recirculating option available)
- Plated Metallic finish
- Additional directional Jets
- Swirling, Rotating, or Jumbo Jets
- Micro Therapy Jet
- Integral Waste and Overflow
- 1.5 HP Variable Speed Pump (digital temperature display optional)
- Electronic low water protection
- In-line heater
- Mood Light
- Back Masseur
- Neck Masseur Pillow
- Hydro Fragrance
- Hydro Fusion
- Hydro Coat
- Hydro Express quick ship



HYDRO SYSTEMS
Family Owned And Operated Since 1978

29132 Avenue Paine, Valencia, CA, 91355
661.775.0686 | hydrosystem.com

* Indicates options that are shown (listed in order from top to bottom/ left to right)

SAVANNAH 6644

H|S

DESIGNER COLLECTION

AS SHOWN:

Whirlpool option with standard jets

FEATURES SHOWN:

- Jets
- Anti-vortex suction
- Overflow location

ALSO AVAILABLE:

- Soaking tub only
- Whirlpool
- Thermal Air
- Combo

SIZE:

66.44.23¾

WATER CAPACITY:

80 Gallons

WEIGHT:

XXX Pounds

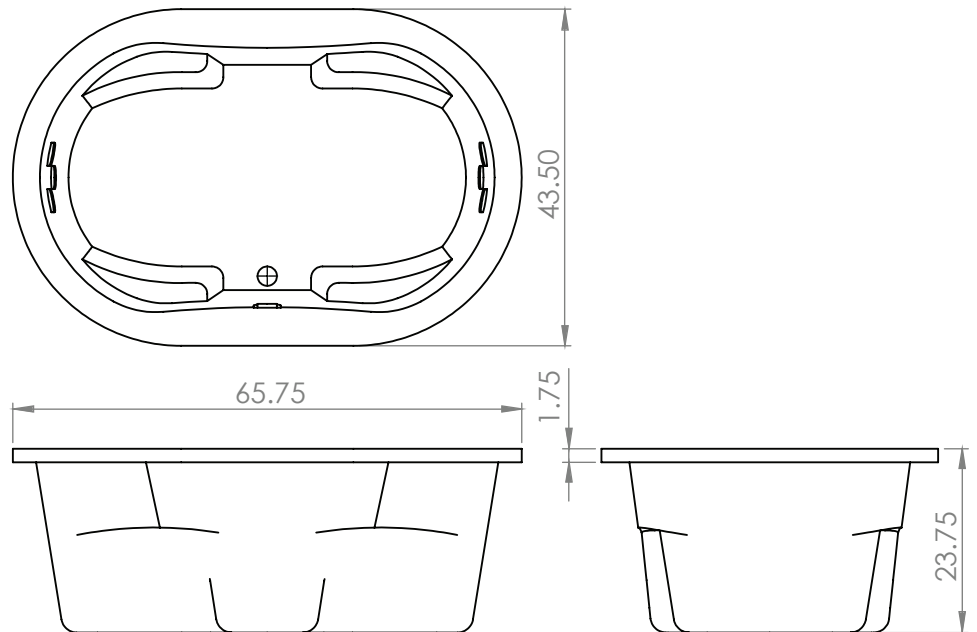
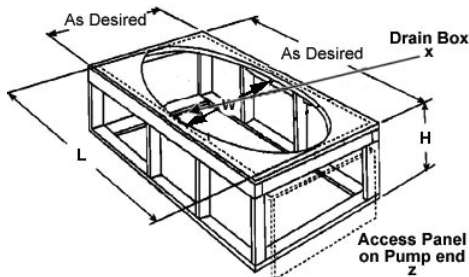
MODEL 6644 DIMENSIONS:

- (L)ength- 66"
- (W)idth- 44"
- (H)eight Finish- 23¾"



ACRYLIC TUB

- Acrylic models finished in 1/8" thick layer of deep lustrous acrylic
- Extra thick reinforced fiberglass
- Pre-wired pump on pump platform (standard pump location only)
- Integral E-Z level platform facilitates installation
- Non-skid bottom



CODES AND COMPLIANCES

Massachusetts code File no: P1-0614-491



HYDRO SYSTEMS
Family Owned And Operated Since 1978

29132 Avenue Paine, Valencia, CA, 91355
661.775.0686 | hydrosystem.com

All specifications and options subject to change without notice please contact a Hydro Systems representative for more information. Certain options or altering the pump/blower location may cause the pump/blower to extend beyond the tub decking. For cutout dimensions wait for unit to arrive. All specifications subject to change without notice.