



# DCM-751B\_H

## SANITARY CUBELET ICE MACHINE/DISPENSER




DCM-751B\_H  
08/14/17  
Item # 13290


Item #: \_\_\_\_\_  
 Project: \_\_\_\_\_  
 Qty: \_\_\_\_\_  
 AIA#: \_\_\_\_\_

- W x D x H**  
34<sup>1/16</sup>" x 28<sup>1/2</sup>" x 48<sup>1/16</sup>"\*
- SD-700**  
34<sup>1/4</sup>" x 28<sup>1/4</sup>" x 32<sup>1/2</sup>"
- SD-750**  
34" x 28" x 32<sup>3/4</sup>"



### Features

- ▶ Durable stainless steel exterior
- ▶ Advanced CleanCycle24™ design 
- ▶ Stainless steel auger with greaseless bearing

- Up to 801 lbs. of ice production per 24 hours
- Built-in storage capacity of 3.2ft<sup>3</sup>/95 lbs.\*
- 2 second flush cycle every hour
- Easy to chew, cubelet ice
- Self-contained design reducing opportunities for cross contamination
- Flush cycle removes sediment for cleaner ice
- Protected by H-GUARD Plus Antimicrobial Agent 
- Removable air filters (Air-cooled model only)
- Dispenses ice and water
- R-404A Refrigerant

**Warranty:**  
 3 Year Parts & Labor on entire machine.  
 5 Year Parts on Compressor; air-cooled condenser coil.  
 Valid in United States, Canada, Puerto Rico and U.S. Territories. Contact factory for warranty in other countries.  
 \*Rated in accordance with AHRI Standard 820(I-P). Capacity based on 100% of total volume x 30 lb/ft<sup>3</sup> average density of ice.

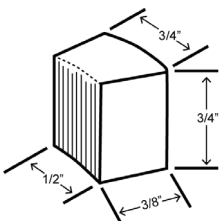
**DCM-751BAH**  
Air-Cooled  
Shown with optional  
SD-750 Stand

**DCM-751BWH**  
Water-Cooled



Condenser	Model	ICE PRODUCTION			WATER USAGE			ELECTRICAL			Heat Rejection BTU/hr.	Shipping Weight	ENERGY STAR®
		Air / Water Temp Lbs. per 24 hours 70°/ 50°F	90°/ 70°F	Type of Ice (Hardness Rating)	Potable Gal. per 100 lbs. 90°/ 70°F	Condenser Gal. per 100 lbs. 90°/ 70°F	kWh Used per 100 lbs. 90°/ 70°F	Max. Fuse Size or HACR Circuit Breaker	Amperage	Voltage			
Air-Cooled	DCM-751BAH	801	583	Cubelet (90)	12.0	N/A	5.94	20A	7.3A	115V/60/1	9,300	345 lbs.	
Water-Cooled	DCM-751BWH	782	678	Cubelet (84.1)	12.0	96	4.76	20A	7.9A	115V/60/1	7,600	345 lbs.	

### Cubelet Dimensions\*



\* approximate size in inches, image not to scale

### Operating Limits

- Ambient Temp Range 45 - 100°F
- Water Temp Range 45 - 90°F
- Water Pressure 10 - 113 PSIG
- Voltage Range 104 - 127V

### Service

- Allow 6" (15 cm) clearance at rear and sides for proper air circulation and ease of maintenance/ service should they be required. Allow 24" (61 cm) clearance at top to allow for removal of the auger.

### Plumbing

- Icemaker Water Supply Line: Minimum 1/4" Nominal ID Copper Water Tubing or Equivalent
- Icemaker Drain Line: Minimum 3/4" Nominal ID Hard Pipe or Equivalent
- Water-Cooled Model (Lines Must Be Independent of Icemaker)
- Condenser Water Supply Line: Minimum 1/4" Nominal ID Copper Water Tubing or Equivalent
- Condenser Drain/Return Line: Minimum 1/4" Nominal ID Hard Pipe (open drain system) or Copper Water Tubing (closed loop system) or Equivalent



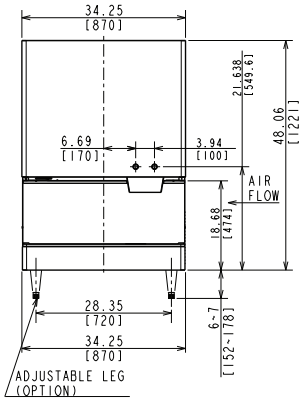
# DCM-751B\_H

## SANITARY CUBELET ICE MACHINE/DISPENSER

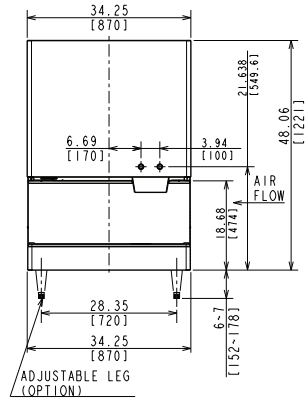


DCM-751B\_H  
08/14/17  
Item # 13290

FRONT VIEW



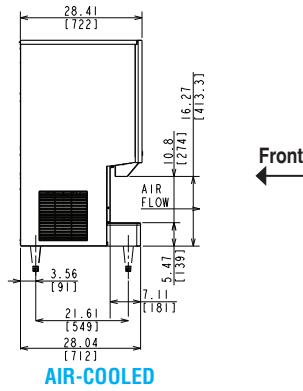
AIR-COOLED



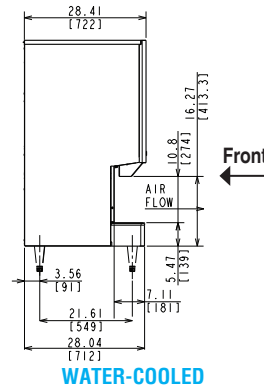
WATER-COOLED

inch  
[mm]

SIDE VIEW

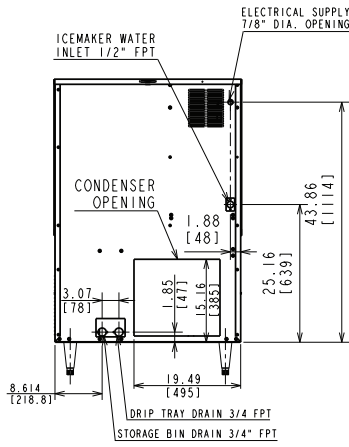


AIR-COOLED

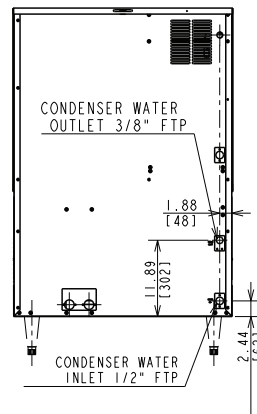


WATER-COOLED

REAR VIEW

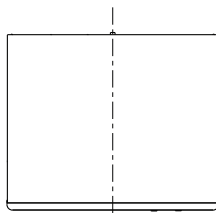


AIR-COOLED

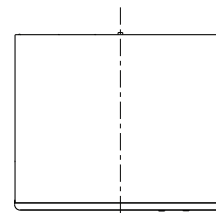


WATER-COOLED

TOP VIEW



Front ↑  
AIR-COOLED



Front ↑  
WATER-COOLED