



# UR48B-GLP01

## Undercounter 48" Refrigerator with Glass Door



UR48B-GLP01  
08/14/21  
Item # 13618

### W x D x H

48" x 31" x 32"\*  
\*with 2.25" casters



Item #: \_\_\_\_\_

Project: \_\_\_\_\_

Qty: \_\_\_\_\_

AIA#: \_\_\_\_\_

## Features

- ▶ Engineered to maintain NSF-7 temperatures in 100°F ambient.
- ▶ Energy efficient LED interior lights with on/off switch
- ▶ Meets ADA requirements 

- Environmentally friendly R290 hydrocarbon refrigerant
- Stainless steel interior and exterior sides and top
- Cabinet and doors are insulated with 2" CFC free, foamed in place polyurethane
- Exclusive "stepped" door design to protect door gasket
- Spring assisted self-closing doors with stay open feature
- One piece, full length chrome handle
- Field reversible doors
- Front breathing air flow design
- Magnetic door gasket is easily removable for cleaning
- Hot gas condensate removal
- E-coated evaporator coil
- One epoxy coated shelf per section is standard
- Anodized aluminum shelf supports adjustable in 1/2" increments
- Standard with 2.25" casters (two with brakes)
- 10 ft. cord and plug




### Dimensions / Capacity

<b>Interior Storage Capacity (CF)</b>	13.66 ft <sup>3</sup>
<b>Interior Storage Capacity (CF) (AHAM)</b>	12 ft <sup>3</sup>
<b>Overall Width x Depth (including 1.5" plate/bumper)</b>	48" x 32.5"
<b>Height (including 2.25" casters)</b>	32"
<b>Door Opening Width x Height</b>	19.5" x 23"
<b>Depth with Door Open at 90° (including 1" bumper)</b>	52"
<b>Adjustable Shelves</b>	2
<b>Shelf Dimensions (W x D)</b>	21.5" x 16"
<b>Crated Weight</b>	249 lbs.
<b>Crated Length x Width x Height</b>	52.5" x 34" x 36.5"

### Two-Section UR48B-GLP01

### Electrical / Refrigeration

<b>Voltage</b>	115/60/1
<b>HACR Breaker</b>	15.0 Amps
<b>Electrical Connection (NEMA)</b>	5-15P 
<b>Voltage Range</b>	104-126
<b>Ambient Temp. Range</b>	45° to 100°F
<b>Control Setpoint Range</b>	32° to 52°F
<b>Amperage</b>	3
<b>Energy Consumption (kWh/day) @ASHRAE</b>	1.46
<b>Heat Rejection (BTU/Hr.) @NSF</b>	432
<b>Approx. Nominal Compres. BTU/HR (HP)</b>	798 (1/5HP)
<b>Refrigerant / Charge Amount (oz)</b>	R290 (2.1 oz)

### Two-Section UR48B-GLP01

### Options

- 4" casters
- 6" casters
- Additional epoxy shelves
- Stainless steel shelves
- Overshelves
- Foot pedals- Left hinge (HS-5378)
- Foot pedals- Right hinge (HS-5379)
- Lower epoxy shelf (HS-5161)
- Lower stainless steel shelf (HS-5169)

### Warranty

3 Year - parts and Labor on entire machine.  
5 Year - Parts on Compressor  
Valid in United States, Canada, Puerto Rico and U.S. Territories. Contact factory for warranty in other countries.

*Hoshizaki reserves the right to change specifications without notice.*



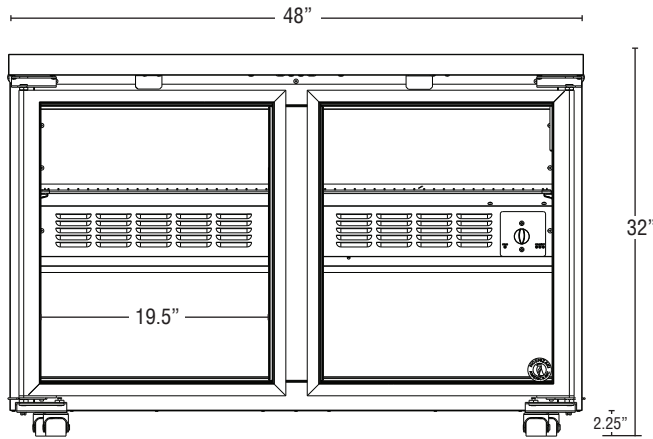
# UR48B-GLP01

Undercounter 48" Refrigerator with Glass Door

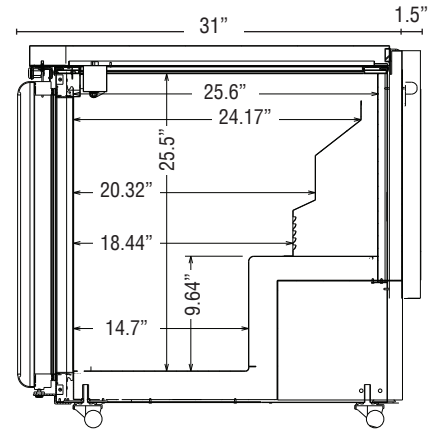
STEELHEART

UR48B-GLP01  
08/14/21  
Item # 13618

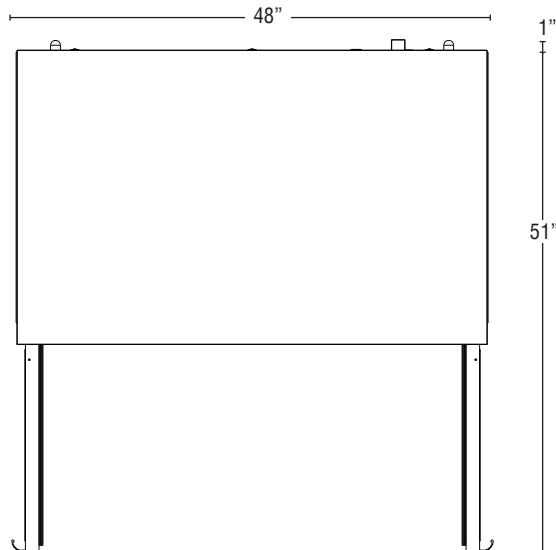
FRONT VIEW



SIDE VIEW



PLAN VIEW



### Cabinet Construction

The exterior cabinet top, front, and sides, are constructed of high quality stainless steel. The exterior back and bottom are constructed of coated steel. The cabinet interior features stainless steel back, sides, floor and ceiling. One heavy duty epoxy coated shelf per section is standard. Mounted on anodized aluminum pilasters the shelf is adjustable in 1/2" increments. Cabinet walls and doors are insulated with 2" of environmentally friendly, CFC free, foamed in place polyurethane. 2.25" polyolefin, stem casters (two with brakes) are standard.

### Door Construction

Glass doors are constructed of high grade silver anodized aluminum with a full length chrome handle. Door glass is energy efficient multi pane, argon filled with locks. The door hinges are all metal and include an adjustable torsion spring closure that will not wear out like traditional cam-lift hinges. Hinge plates are constructed of heavy duty stainless steel. Doors stay open at 90° and are self-closing at 75°. Snap-in magnetic door gaskets are durable and easily removed for cleaning. Door hinging is field reversible (with an optional door reversal hinge kit).

### Refrigeration System

The high efficiency refrigeration system is self-contained with an E-coated evaporator for extended life. Condensate removal is accomplished with an energy efficient non-electric evaporation system. A capillary tube controls the flow of environmentally friendly R290 refrigerant through the evaporator. Refrigeration system utilizes an "off cycle" defrost to eliminate any ice on the evaporator coil. 115 volt units are equipped with a ten foot cord and plug (20.0 amps or less).