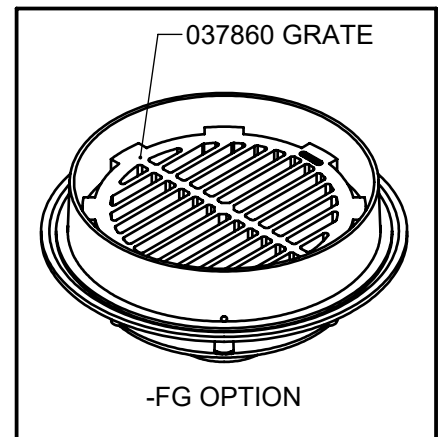
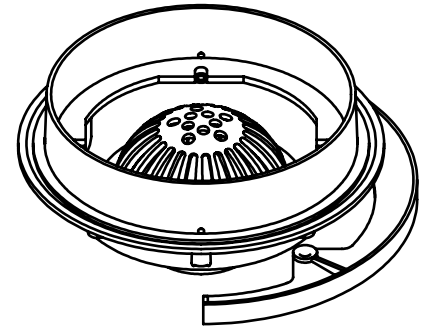
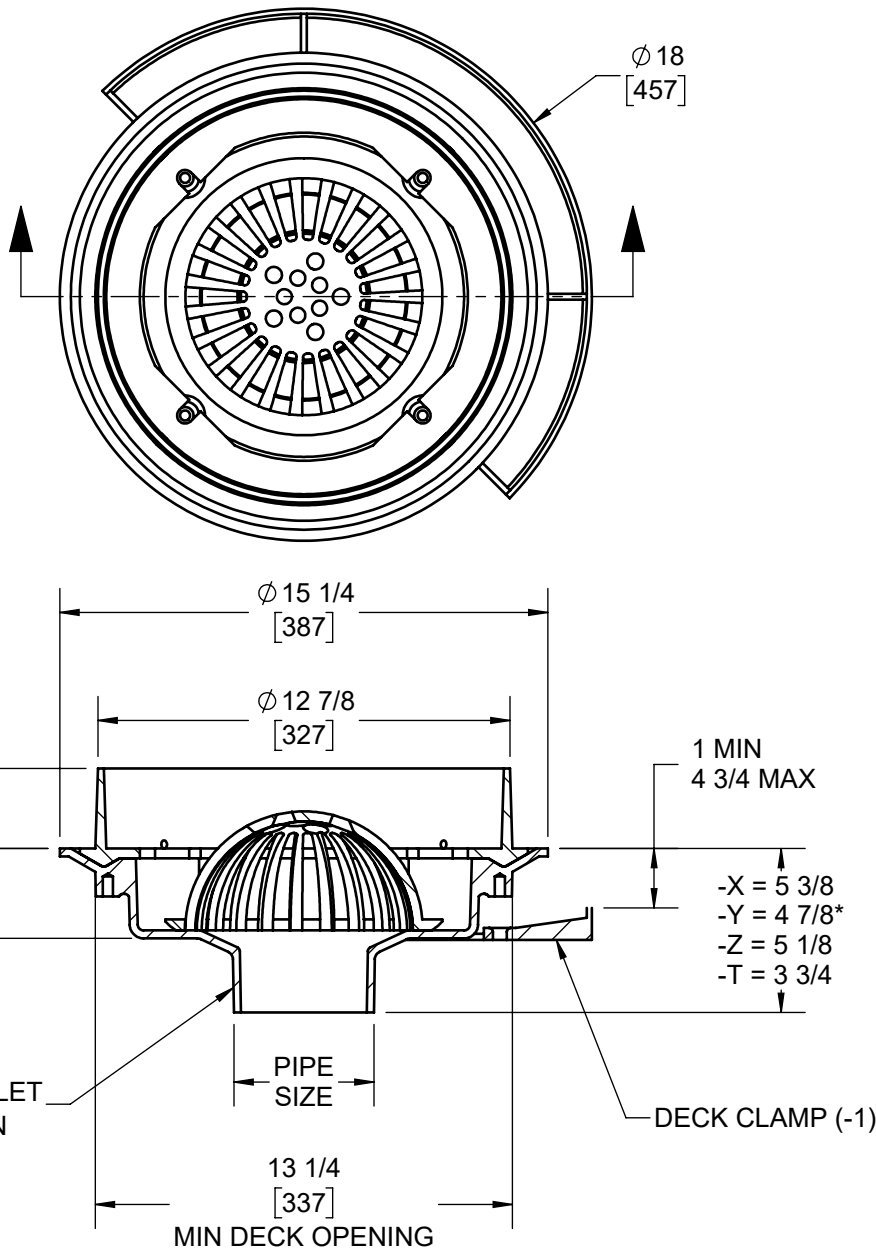


SPECIFICATION:

JOSAM 25500 SERIES COATED CAST IRON FLO-SEPTOR ROOF DRAIN, CAST IRON INTERNAL DOME STRAINER, COMBINED WEJLOC NON-PUNCTURING CLAMP RING AND SOLID WATER DAM, LARGE SUMP WITH WIDE ROOF FLANGE AND BOTTOM OUTLET.

**ROOF DRAIN
FLO-SEPTOR LARGE SUMP**

SERIES **25500**



*GASKET ON -Y CONNECTION CONFORMS WITH ASTM-C564

| | PIPE SIZE |
|--|-----------|
| | 2" |
| | 3" |
| | 4" |
| | 5" |
| | 6" |

| | |
|-----|--|
| -AE | THREADED LEVELZE ADJ. EXT. |
| -OR | O-RING ADJUSTABLE EXTENSION |
| -CR | CLAMPING DRAIN RECEIVER (MIN. DECK OPENING ϕ 16") |
| -1 | DECK CLAMP ASSEMBLY |
| -2 | DRAIN RECEIVER |
| -3 | DECK CLAMP ASSEMBLY & DRAIN RECEIVER |
| -10 | FIXED EXTENSION |
| -20 | GALVANIZED CAST IRON PARTS |
| -FG | FLAT GRATE (REPLACES DOME STRAINER) |

| | |
|-----|-------------------------|
| -66 | NO-HUB SIDE OUTLET |
| -T | THREADED OUTLET |
| -X | INSIDE CAULK OUTLET |
| -Y | HUB OUTLET WITH GASKET* |
| -Z | NO-HUB SPIGOT OUTLET |

DATE OF LAST CHANGE: 02/19/21

DIMENSIONS ARE SUBJECT TO MANUFACTURERS TOLERANCES AND CHANGE WITHOUT NOTICE. WE CAN ASSUME NO RESPONSIBILITY FOR USE OF SUPERSEDED OR VOID DATA.

JOSAM
MICHIGAN CITY, INDIANA

NOTES