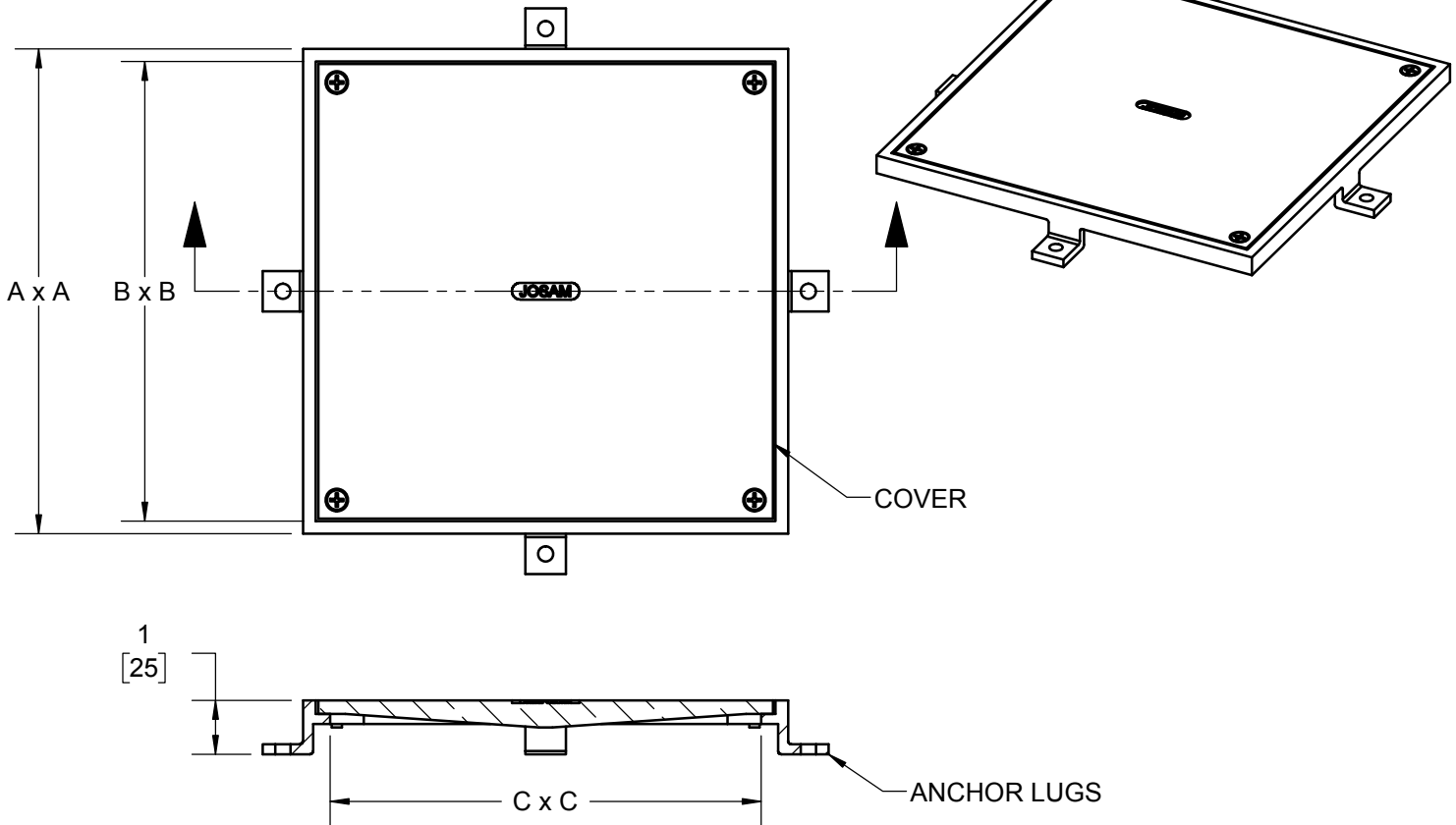


**SPECIFICATION:**

JOSAM 58640 SERIES SQUARE CAST NIKALOY ACCESS FRAME AND ANCHOR LUGS AND SATIN SMOOTH SECURED COVER.

**CLEANOUT  
WALL OF FLOOR ACCESS  
COVER**

SERIES **58640**



	TYPE	AxA	BxB	C
	58642	7x7	6-1/2x6-1/2	6x6
	58644	9x9	8-1/2x8-1/2	8x8
	58646	10x10	9-1/2x9-1/2	9x9

	-2	SATIN FINISH BRONZE
	-10	SCORIATED COVER
	-VP	SECURED COVER, VANDAL-PROOF SCREWS
Δ	-CO2	NO-HUB CLEANOUT, 2"
Δ	-CO3	NO HUB CLEANOUT, 3"
Δ	-CO4	NO-HUB CLEANOUT, 4"
Δ	-CO6	NO-HUB CLEANOUT, 6"
*	-20	RAISED HEAD BRONZE PLUG
*	-31	GALVANIZED CAST IRON PARTS
Δ	-COT2	NO-HUB CLEANOUT TEE, 2"
Δ	-COT3	NO-HUB CLEANOUT TEE, 3"
Δ	-COT4	NO-HUB CLEANOUT TEE, 4"
Δ	-COT6	NO-HUB CLEANOUT TEE, 6"

Δ SEPARATE SUBMITTAL FOR THIS OPTION AVAILABLE

\*SPECIFY -CO OR -COT

DATE OF LAST CHANGE: 5/24/18

DIMENSIONS ARE SUBJECT TO MANUFACTURERS TOLERANCES AND CHANGE WITHOUT NOTICE. WE CAN ASSUME NO RESPONSIBILITY FOR USE OF SUPERSEDED OR VOID DATA.

**JOSAM**  
MICHIGAN CITY, INDIANA

NOTES

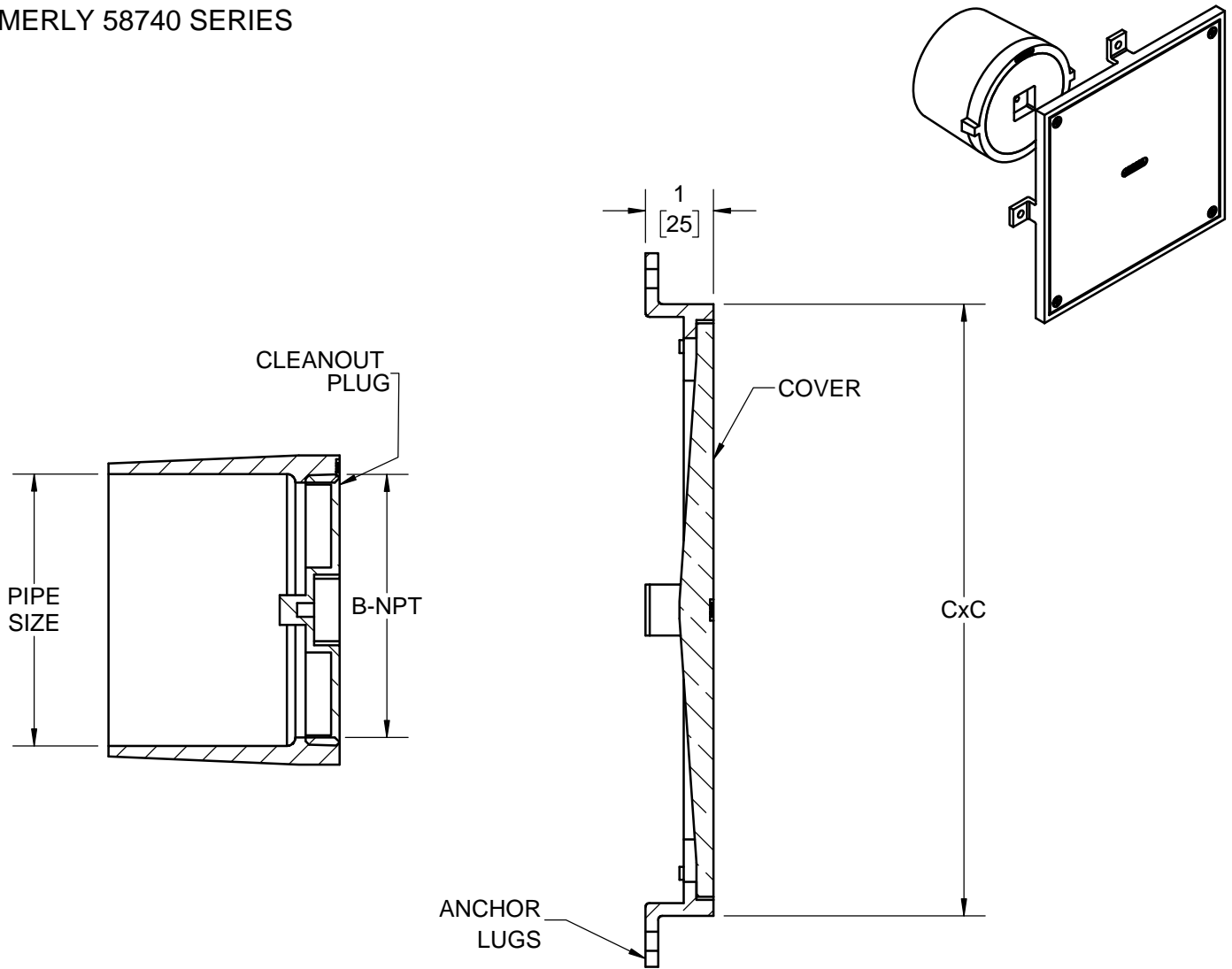
**SPECIFICATION:**

JOSAM 58640-CO SERIES SQUARE CAST NIKALOY ACCESS FRAME AND ANCHOR LUGS, SATIN SMOOTH SECURED COVER AND NO-HUB CLEANOUT.

**CLEANOUT**  
WALL ACCESS COVER  
WITH CLEANOUT

SERIES **58640-CO**

FORMERLY 58740 SERIES



	TYPE NO.	PIPE SIZE	B	C x C
	58642-CO2	2"	1-1/2	7 x 7
	58642-CO3	3"	2-1/2	7 x 7
	58642-CO4	4"	3-1/2	7 x 7
	58644-CO6	6"	5-1/2	9 x 9

X	-CO	NO-HUB CLEANOUT (SPECIFY PIPE SIZE)
	-VP	SECURED COVER, VANDAL-PROOF SCREWS
	-2	SATIN FINISH BRONZE
	-10	SCORIATED COVER
	-20	RAISED HEAD BRONZE PLUG
	-31	GALVANIZED CAST IRON PARTS

WARNING: Cancer and Reproductive Harm - www.P65Warnings.ca.gov

DATE OF LAST CHANGE: 5/24/18

DIMENSIONS ARE SUBJECT TO MANUFACTURERS TOLERANCES AND CHANGE WITHOUT NOTICE. WE CAN ASSUME NO RESPONSIBILITY FOR USE OF SUPERSEDED OR VOID DATA.

**JOSAM**  
MICHIGAN CITY, INDIANA

NOTES