

SPECIFICATION:

JOSAM 71020 SERIES CAST BRONZE MILD-CLIMATE WALL HYDRANT WITH SATIN FINISH STAINLESS STEEL HINGED LATCHING COVER, 3/4" HPT. OUTLET, INTEGRAL VACUUM BREAKER-BACK FLOW PREVENTER, PRESSURE RELIEF VALVE, BRONZE OPERATING PARTS CONVERTIBLE INTO SERVICE TOOL AND 3/4" FEMALE AND 1" MALE N.P.T. INLET CONNECTIONS.

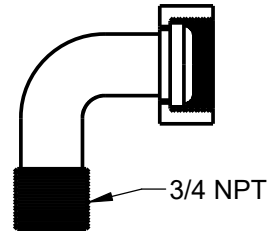
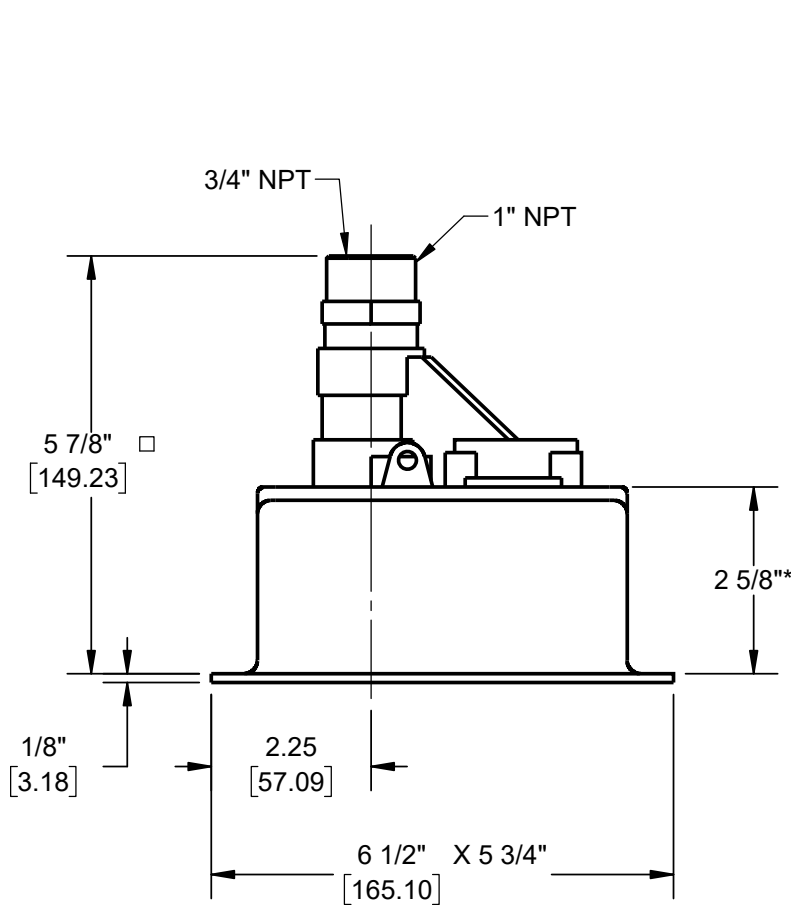
HYDRANTS

HYDRASAN ®1 MILD-CLIMATE W/ BOX

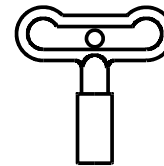
SERIES

71020

□ WHEN UNION ELBOW IS USED, THIS DIM. IS 7-5/8 OVERALL

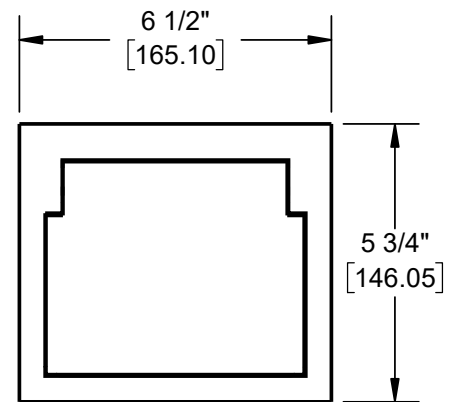


UNION ELBOW (-74)



CONTROL KEY (1/4 SQUARE)

CONTROL KEY USED TO OPEN COVER AND OPERATE HYDRANT



WALL OPENING 4-3/4 x 6-1/4

*** BOX DEPTH IS 1-5/8 ON NIKALOY & BRONZE BOXES**

	* -52	SATIN FINISH FACE, CAST BRONZE BOX			-74	UNION ELBOW ASSEMBLY
	* -54	SATIN FINISH FACE, CAST NIKALOY BOX			-91	1" HOSE PIPE THREADED OUTLET
	-72	WALL CLAMP			-95	CYLINDER SECURED LOCK
	-73	SOLDER INLET ADAPTER				

DATE OF LAST CHANGE: 05/23/18

DIMENSIONS ARE SUBJECT TO MANUFACTURERS TOLERANCES AND CHANGE WITHOUT NOTICE. WE CAN ASSUME NO RESPONSIBILITY FOR USE OF SUPERSEDED OR VOID DATA.



MICHIGAN CITY, INDIANA

NOTES

WARNING: Cancer and Reproductive Harm - www.P65Warnings.ca.gov