

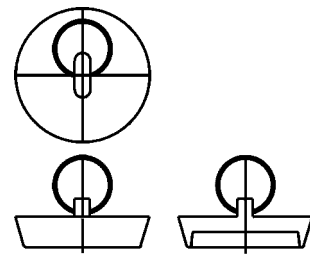
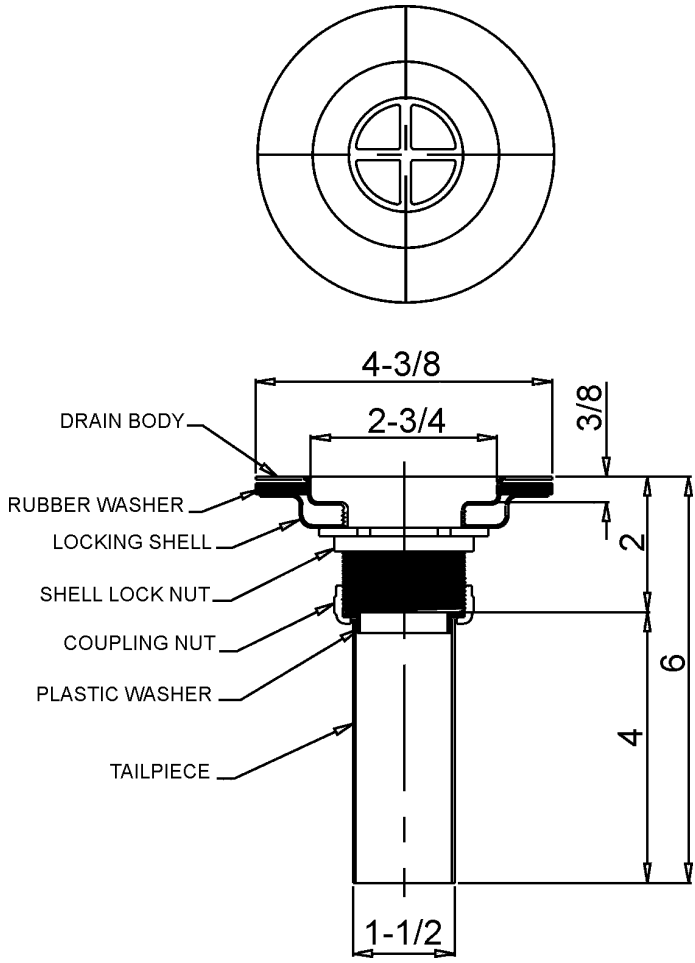


**FITTINGS GROUP**

J-35-SS-316

**Type 316 Stainless Steel Drain  
with  
Rubber Stopper**

**SUBMITTAL DATA**



**RUBBER STOPPER DETAIL**

**TECHNICAL DATA**

**DRAIN:**  
Body of Type 316 stainless steel  
Stopper of rubber

**TAILPIECE:**  
Type 316 stainless steel

**LOCK NUT:**  
Die-cast zinc

**COUPLING NUT:**  
Die-cast

**VARIANTS**  
Brass coupling nut

**Dimensions tolerance +/- 1/4".**  
Dimensions may vary and are subject to change. No responsibility is assumed for use of superseded or voided data.

FUNCTIONAL DESIGN, QUALITY, AND SPECIFICATIONS LISTED DESCRIBE THE JUST STANDARD OF QUALITY. WHEN MAKING COMPARISONS WITH OTHER OFFERINGS, INSIST ON THE JUST QUALITY OF CONSTRUCTION. FOR ADDITIONAL INFORMATION REGARDING THE COMPLETE LINE OF *JUST* SINKS, FAUCETS AND DRAINS, VISIT OUR WEB SITE AT [www.justmfg.com](http://www.justmfg.com)

Job Name _____	
Customer _____	
Architect/Engineer _____	
APPROVED FOR MANUFACTURING	
MODEL NO. _____	QTY. _____
COMPANY _____	
TITLE _____	DATE _____
SIGNATURE _____	

<b>JUST MANUFACTURING COMPANY</b>	
9233 KING STREET.FRANKLIN PARK.ILLINOIS.60131-2111	
PH: 847-678-5150 . FAX: 847-678-6817	
E-MAIL: <a href="mailto:custserv@justmfg.com">custserv@justmfg.com</a> . <a href="http://www.justmfg.com">www.justmfg.com</a>	

REVISED-5/2004