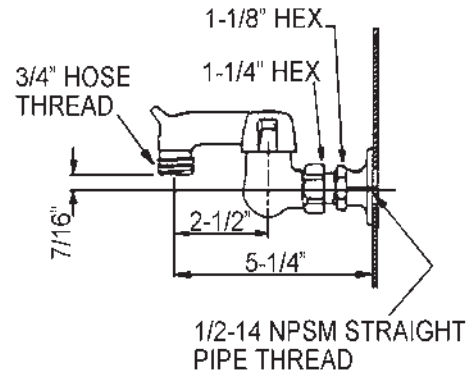
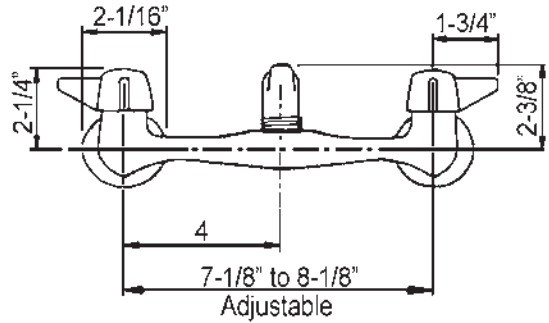




**JLK-400**  
**FAUCET GROUP**  
 WALL-MOUNTED SINK FAUCET

**SUBMITTAL DATA**



**TECHNICAL DATA**

**CONSTRUCTION:**

- Solid cast brass body
- Replaceable seats
- Adjustable inlet centers (1/4")
- 1/2" female pipe connections
- Cast brass spout with hose end outlet
- All brass stems with double O-Ring seal and acrilonitrile washer
- Canopy handles of die cast zinc- chrome plated
- Body rough chrome plated
- Flanges polished chrome plated
- Certified by IAPMO R&T to:
  - \* NSF/ANSI 61- 2010a      \* UPC
  - \* NSF/ANSI 61- Annex G   \* IPC
  - \* Low Lead
  - \* ANSI A112.18.1 / CSA B125.1



**FINISH**

Chrome plated- rough finish

**FLOW RATE**

Variable

**VARIANTS**

None

APPROVED FOR MANUFACTURING	
MODEL NO.:	QTY: _____
JOB NAME:	_____
TAG/ITEM:	_____
CUSTOMER:	_____
SIGNATURE:	_____

JUST MFG. COMPANY CONTINUES TO MAKE QUALITY AND FUNCTIONALITY A MARK OF THE JUST PRODUCT LINE. TO DO SO REQUIRES THAT WE RESERVE THE RIGHT TO CHANGE PRODUCT INFORMATION WITHOUT NOTICE. DIMENSIONS MAY VARY AND ARE SUBJECT TO CHANGE WITHOUT NOTICE. NO RESPONSIBILITY IS ASSUMED FOR USE OF SUPERCEDED OR VOIDED DATA. FOR THE MOST CURRENT AND ACCURATE INFORMATION REGARDING THE COMPLETE LINE OF JUST SINKS, FAUCETS AND DRAINS, CLICK ON THE **SPEC LINE DRAWINGS** LINK ON OUR WEB SITE AT [www.justmfg.com](http://www.justmfg.com)

**JUST MANUFACTURING COMPANY**      9233 KING STREET . FRANKLIN PARK . ILLINOIS . 60131-2111

PH: 847-678-5150    .    FAX: 847-678-6817    .    E-MAIL: [custserv@justmfg.com](mailto:custserv@justmfg.com)    .    [www.justmfg.com](http://www.justmfg.com)