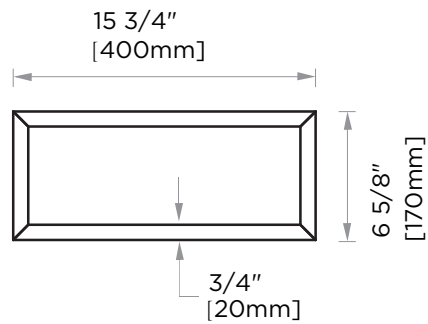
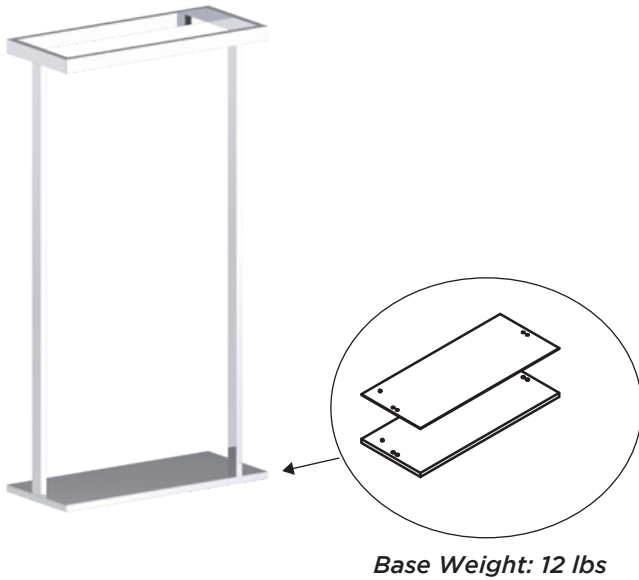


LONDON COLLECTION
DOUBLE TOWEL RAIL
KFS-DTR-248



PRODUCT NAME: Double Towel Rail

PRODUCT CODE: KFS-DTR-248

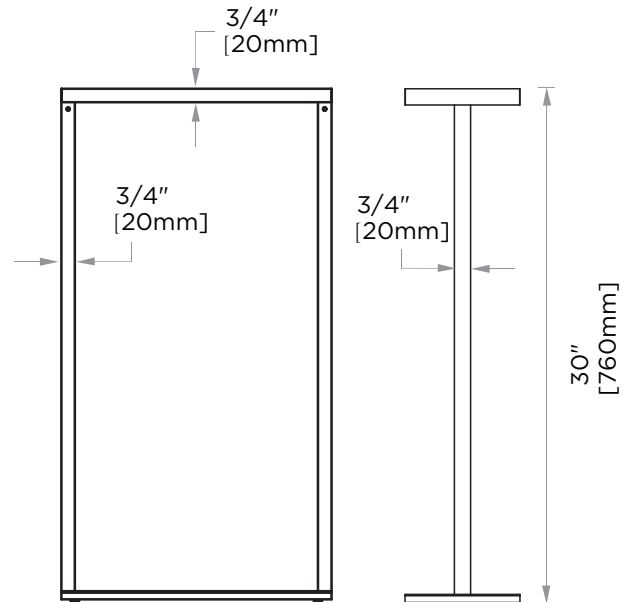
MATERIAL: All-brass construction

STOCKED FINISHES: ● Polished Chrome (99)

SPECIAL FINISHES AVAILABLE: Please see our website for full list of samples

WARRANTY:

Lifetime Limited (Residential Use)
One Year (Commercial Use)



NOTE: Dimensions and specifications are subject to change without notice.