

Specifications

DESCRIPTION

- Brass construction with chrome plated finish
- 3/8" compression connection x 24" braided polymer supply lines

OPERATION

- Lever style handle
- 5-1/4" spout reach
- Temperature controlled through 110° arc of handle
- Operates with less than 5 pounds of force

FLOW

- Water usage is limited to these maximum flow rates as indicated by the corresponding product markings
- 1.5 gpm max (5.7L/min) at 60 psi

CARTRIDGE

- 1255™ Duralast® 40mm cartridge with all brass adjustable temperature limit stop and cartridge nut
- Nonmetallic/nonferrous and ceramic material

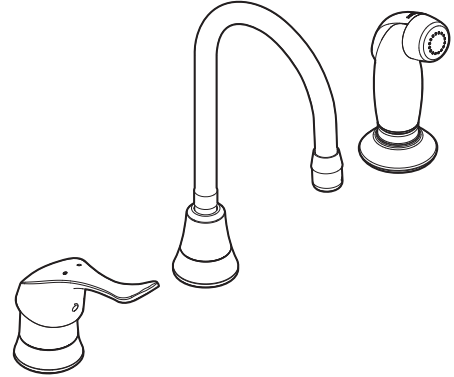
STANDARDS

- Third party certified to meet ASME A112.18.1/CSA B-125.1 and all applicable specifications referenced therein
- Certified to NSF 61/9 & 372
- Complies with California Proposition 65 and with the Federal Safe Drinking Water Act

- ADA  for lever handles

WARRANTY

- Warranted for five years against material or manufacturing defects

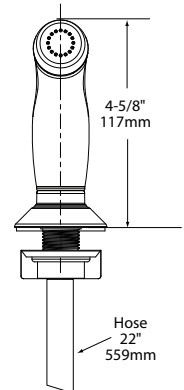
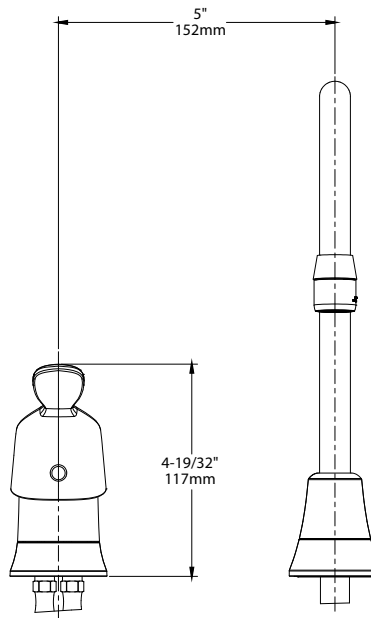
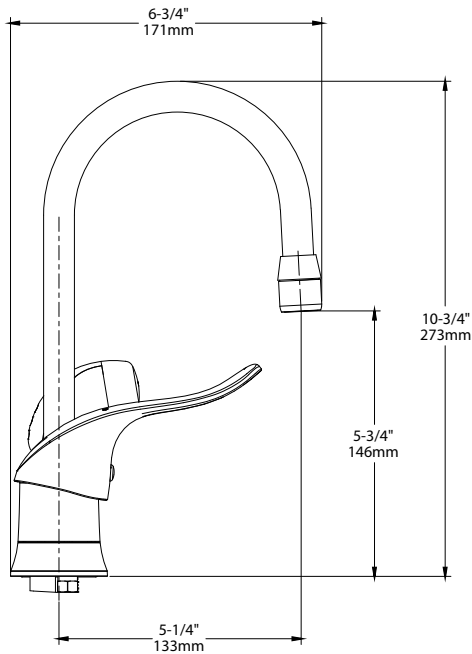


Single Handle Multi-Purpose Faucet with hose and spray

MODEL	SIDE SPRAY
8137	
8138	X



NOTE: Designed to be installed through 2 holes - 1-1/2" min. dia.



CRITICAL DIMENSIONS

(DO NOT SCALE)