

PRODUCT DESCRIPTION

- Manual exposed water closet flushometer with brass angle stop valve
- Cast brass construction with chrome electroplated finish
- Chloramines resistant seals
- 1" IPS inlet supply
- 1-1/2" top spud
- High back pressure vacuum breaker
- Diverter valve support
- ADA compliant handle with dual o-ring seals

OPERATION

- Operating pressures: 15 to 120 psi
- AccuSet™ piston technology
- Self-cleaning filter

FLOW

- **8310M35** (3.5 gpf/13.2 Lpf)
- **8310M16** (1.6 gpf/6.0 Lpf)
- **8310M128** (1.28 gpf/4.8 Lpf)
- **8313M16** (1.6 gpf/6.0 Lpf) with 24" tailpiece extension tube

STOP VALVE

- 1" IPS vandal resistant control stop
- Solid brass with chloramines resistant face seal

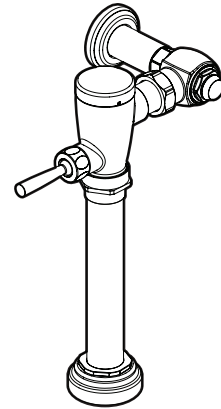
STANDARDS

- Third party certified by IAPMO and CSA to meet ASME A112.19.2M and all applicable requirements referenced therein and complies with requirements of ASSE 1037

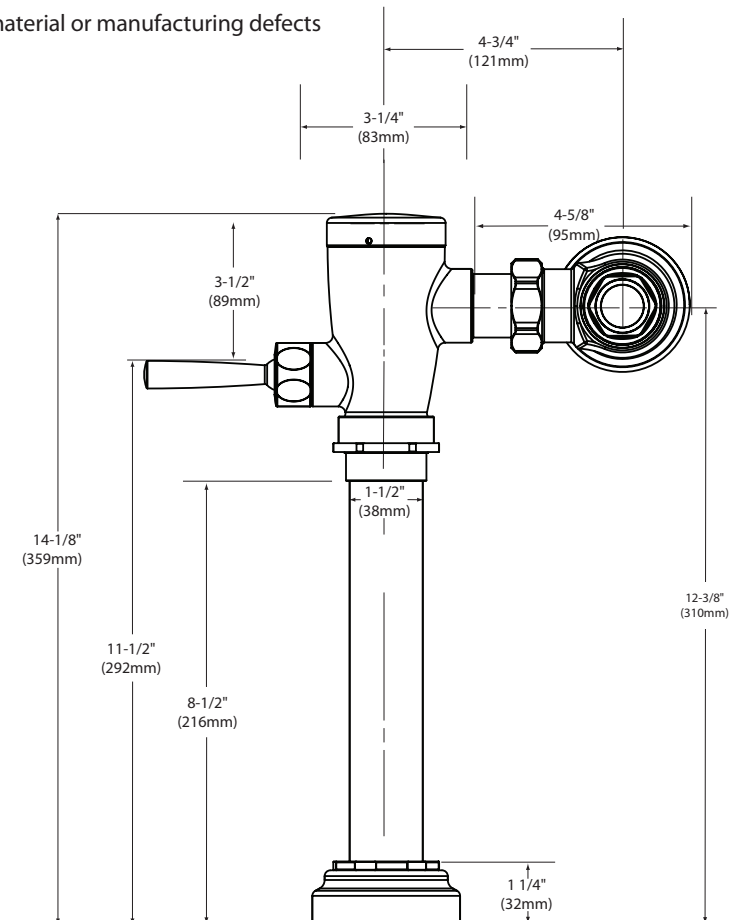
- **ADA** 

WARRANTY

- Warranted for 5 years against material or manufacturing defects



1-1/2" Manual Exposed Style Closet Flush Valve



CRITICAL DIMENSIONS

(DO NOT SCALE)