

2218 Undermount or Top Mount Utility Sink



Undermount

It's time to think undermount for your utility sink.

E. L. Mustee & Sons has done just that. Meet the newest VECTOR™ undermount utility sink.

Ideal for home bars, hobby, work, or utility rooms, this utility sink is the best on the market bringing together upscale style and great design. Let us help you discover a multitude of ways in which this utility sink can complement any home environment.

Features

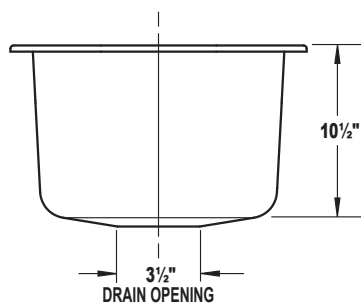
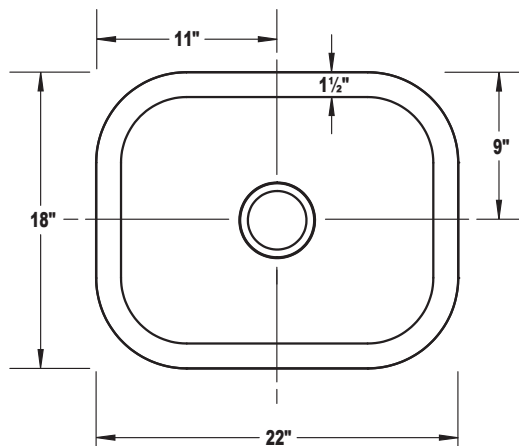
- Mustee's premium, high grade VARISTONE™ fiberglass
- One piece molded with matched metal molds
- Semi-gloss, scratch & stain resistant
- Drain opening for standard 3 1/2" basket strainer (not included)
- Accommodates any faucet, soap dispenser and more that can be surface mounted to the counter top
- Color: White
- Template included for undermount and top mount installation

Code Accepted

- Meets ANSI Specification Z 124-2017 
- IAPMO® listed 
- Warnock Hersey listed 

Specifications

General: Furnish and install as shown on plans, an Undermount sink model 2218 as manufactured by E. L. Mustee & Sons, Inc. Material composition shall be molded fiberglass, using matched metal molds under extreme heat and pressure. One-piece, seamless construction with self-rimming edge for Undermount or top mount installation. Shall meet ANSI Specification Z 124-2017. Overall size 18" length x 22" width x 11" depth, weight 16 lbs., Color: White.



Model	Color	Dimension	Length	Width	Depth
2218	White	Overall	18"	22"	11"

Undermount Cut Out – 15" x 19" with round corners

Drop In Cut Out – 15 1/2" x 19 1/2"

See template included with sink for exact measurements



Top Mount