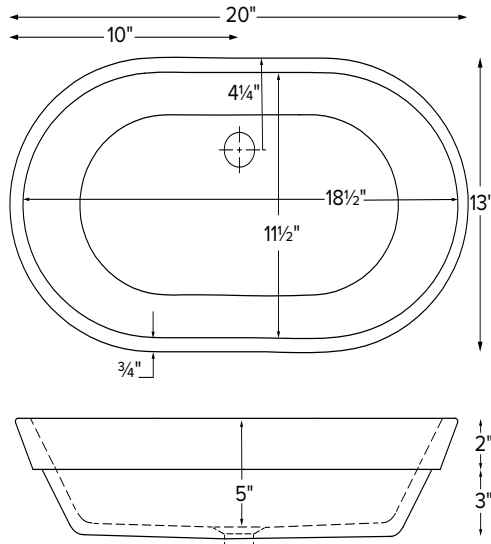


Leona



MODEL 768
20" x 13" x 5"
VESSEL STYLE or SEMI-RECESSED
<b>SculptureStone®</b>
13 lbs / 6 kg



When semi-recessed, the top 2" of the sink will rest on the vanity.

Due to its handcrafted nature, always measure sink on-site to ensure cut-out accuracy.

**Sink Options and Pricing**

**Part #: MTCS768 \$1,150**

**Standard Color** White, matte finish

**Biscuit Color Upgrade (SSBISNK) \$120** matte finish  
Additional material colors available for projects only. Please call MTI.

**Hand-Polished Deep Gloss Finish Upcharge (SSGLOSSSNK3) \$715**  
For White or Biscuit

**Exterior Color \$340 (SSCOLSG) Gloss (SSCOLSM) Matte**  
Must specify color code:  
Sapphire Blue (SB), Blue Lagoon (BL), Terracotta (TC),  
Onyx (OX), Stratus Gray (TG), Stormgray (SG)

**Quick Ship (QSPRI3) \$255** reduces lead time  
Please call for availability.

**Options and Accessories**

**Drain Kits**

**Finger Touch Drain Without Overflow**

Chrome (DKFGCN) **\$185**, Brushed Nickel (DKFGBNN) **\$190**

**Grid Drain Without Overflow**

Chrome (DKGDCN) **\$115**, Brushed Nickel (DKGDBNN) **\$180**

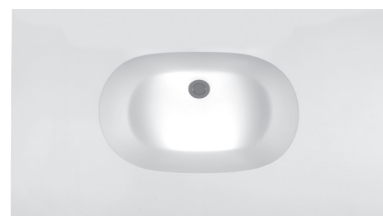
**Fixed Drain Without Overflow**

Chrome (DKFDC) **\$300**



**ORDERING AND INSTALLATION**

- 1.5" drain opening
- One-piece construction
- Non-porous, stain-, mold- and mildew-resistant SculptureStone®
- Material is approximately 70% organic
- Five-Year Limited Residential Warranty



Also available, Leona Counter-Sink, featuring custom-size countertop with integrated bowl.

• Before discarding packaging, check for accessories that may be inside.  
• All product measurements are ±1/2".  
• Specifications and configurations are subject to change without notice.  
• Measurements herein supersede all others published prior to publication date below.

