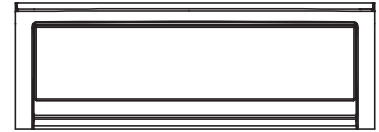


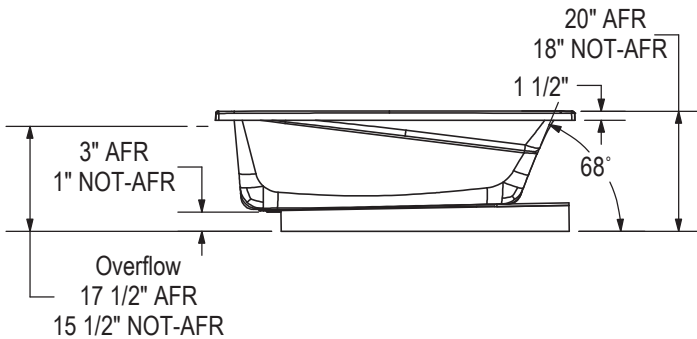
IFS Without System
Single tiling flange



IFS With System
(access panel)
Single tiling flange



1" Single integrated tiling flange (not shown)
Drop-in model (Shown)

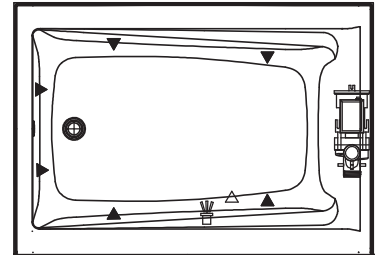


Technical drawing is universal for all Exhibit 6042 configurations.

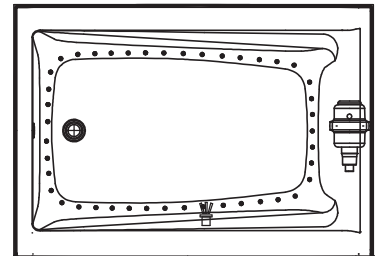
Wood support design may vary.
Single Integrated tiling flange: 1" height x 1/4" thickness (not shown)

All dimensions are approximate.
Structure measurement must be verified against the unit to ensure proper fit.

WHIRLPOOL SYSTEM



AIR SYSTEM



- (▲) : Indicates whirlpool jets positioning
- (△) : Indicates suction positioning
- (●) : Indicates airjets positioning
- (☼) : Indicates chromatherapy light positioning