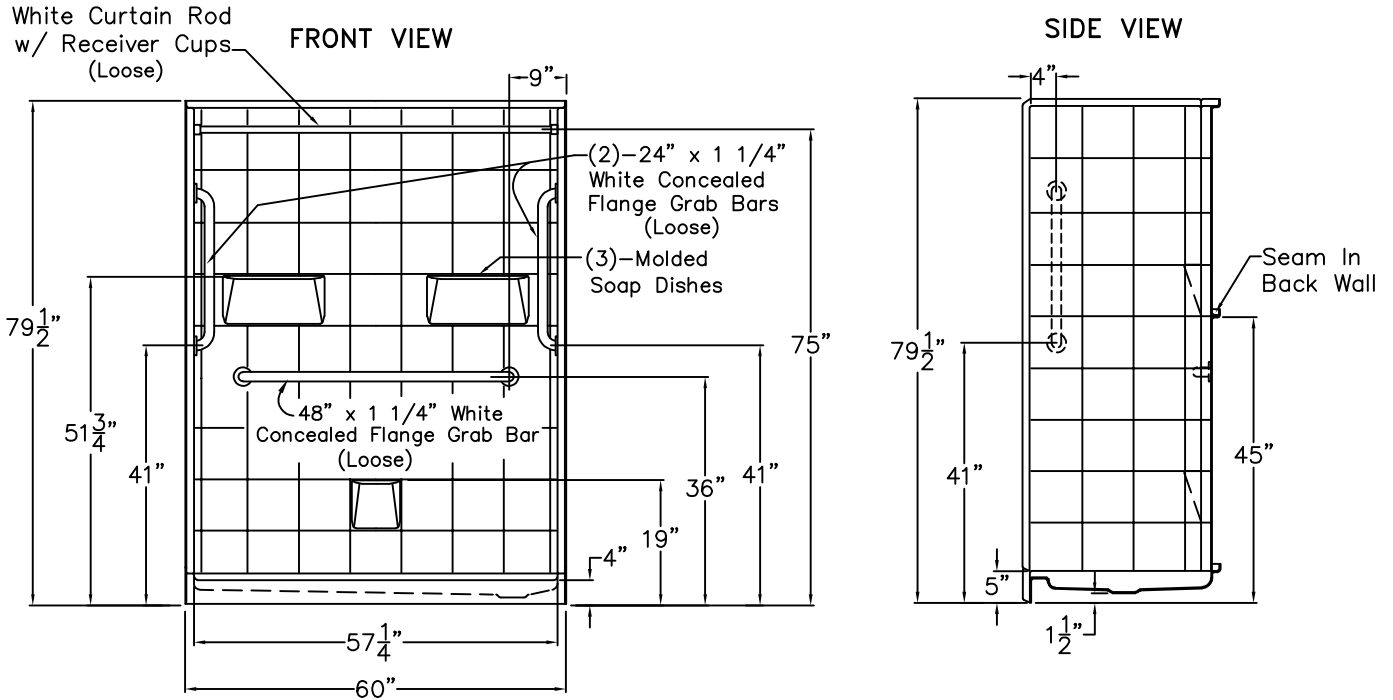


Quick Ship Inventory program  
SUBMITTAL DATA © 2002



Sectional Shower Stall

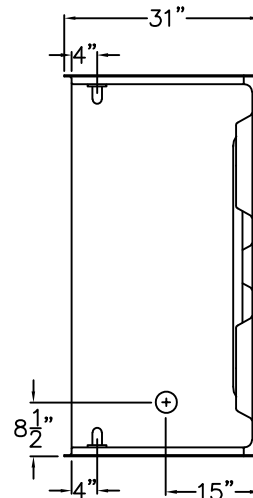
The shower enclosure shall be MAAX QSI 6030 SH 4.0" 5 Piece with Left or Right Drain. Finished surface shall be of a sanitary-grade applied acrylic.

The unit shall have outside dimensions of 60" x 31" x 79 1/2". The five piece unit shall meet ANSI Z124.1.2, Home Innovation Research Lab, UPC, and shall meet the requirements of the Southern Building Code.

The enclosure shall be equipped with the following installed accessories:

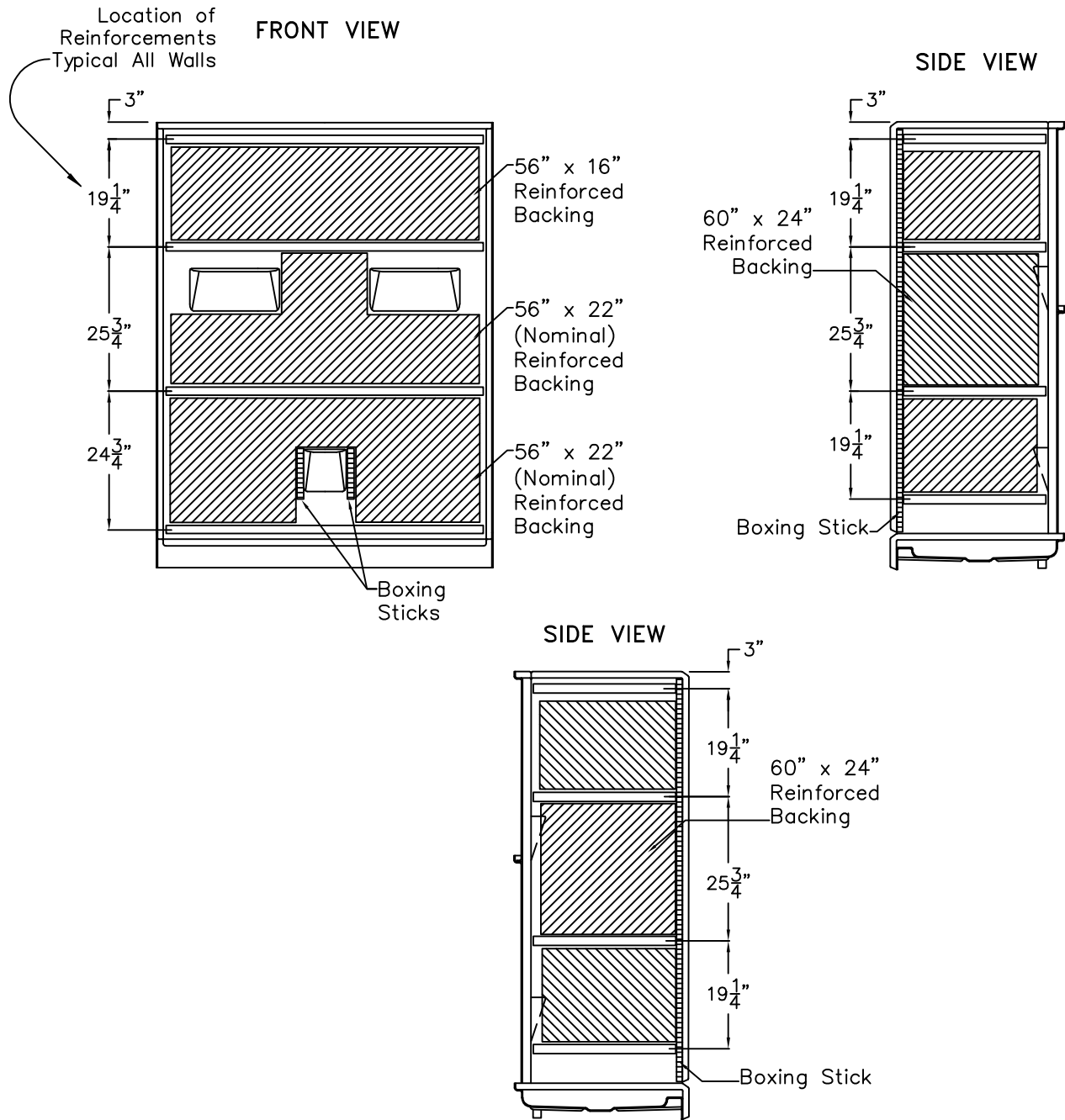
- 1) Tile Finish, 2) Two Piece Back Wall, 3) Three Molded Soap Dishes on the back wall, 4) Left or Right drain location, 5) Full reinforced backing on all walls, 6) 42" x 1 1/4" white Concealed flange grab bar on the back wall (Loose), 7) Two 24" x 1 1/4" white concealed flange grab bars, one on each side wall (Loose), 8) One inch diameter white curtain rod with receiver cups, 9) 4.0" Threshold, 10) Factory-installed ArmorCore.

NOTE: GRAB BARS AND CURTAIN ROD SHIPPED LOOSE, TO BE FIELD INSTALLED BY OTHERS.



DUE TO THE NATURE OF THE MATERIALS  
UNIT DIMENSIONS MAY VARY ± 1/2 INCH

# Quick Ship Inventory program SUBMITTAL DATA



DUE TO THE NATURE OF THE MATERIALS  
UNIT DIMENSIONS MAY VARY ± 1/2 INCH