



ENGINEERING EXCELLENCE

Americana Series #2AM401

SPECIFICATION SHEET

DESCRIPTION

- Two Handle Kitchen Faucet
- Metal Lever Handles
- Spout Swivel 360°
- 8-11/16" Reach, 10-1/4" from Deck to Aerator
- Ceramic Disc Cartridges
- 2-Hole Installation
- Side Spray Assembly
- Easy-Install 30" Flex Supply Lines With 3/8" Connections

FINISHES

- PC Polished Chrome
- BN PVD Brushed Nickel
- SS PVD Stainless Steel
- ORB Oil Rubbed Bronze
- MZ Moroccan Bronze

FLOW

- Aerator Limited to 1.5 GPM



#2AM401 SHOWN * ADA 

STANDARDS APPLICABLE

- ASME A112.18.1
- ANSI A117.1
- ANSI / NSF 61, SECTION 9
- CUPC / IAPMO LISTED / ADA COMPLIANT
- CONTAINS NO MORE THAN 0.25% WEIGHTED AVERAGE LEAD CONTENT

Model #: _____

Specific Features: _____

Project Name: _____

Submitted For: _____

Model	Description	Finishes	
#2AM401	Two Handle Kitchen Faucet	<input type="checkbox"/> PC	<input type="checkbox"/> Other _____



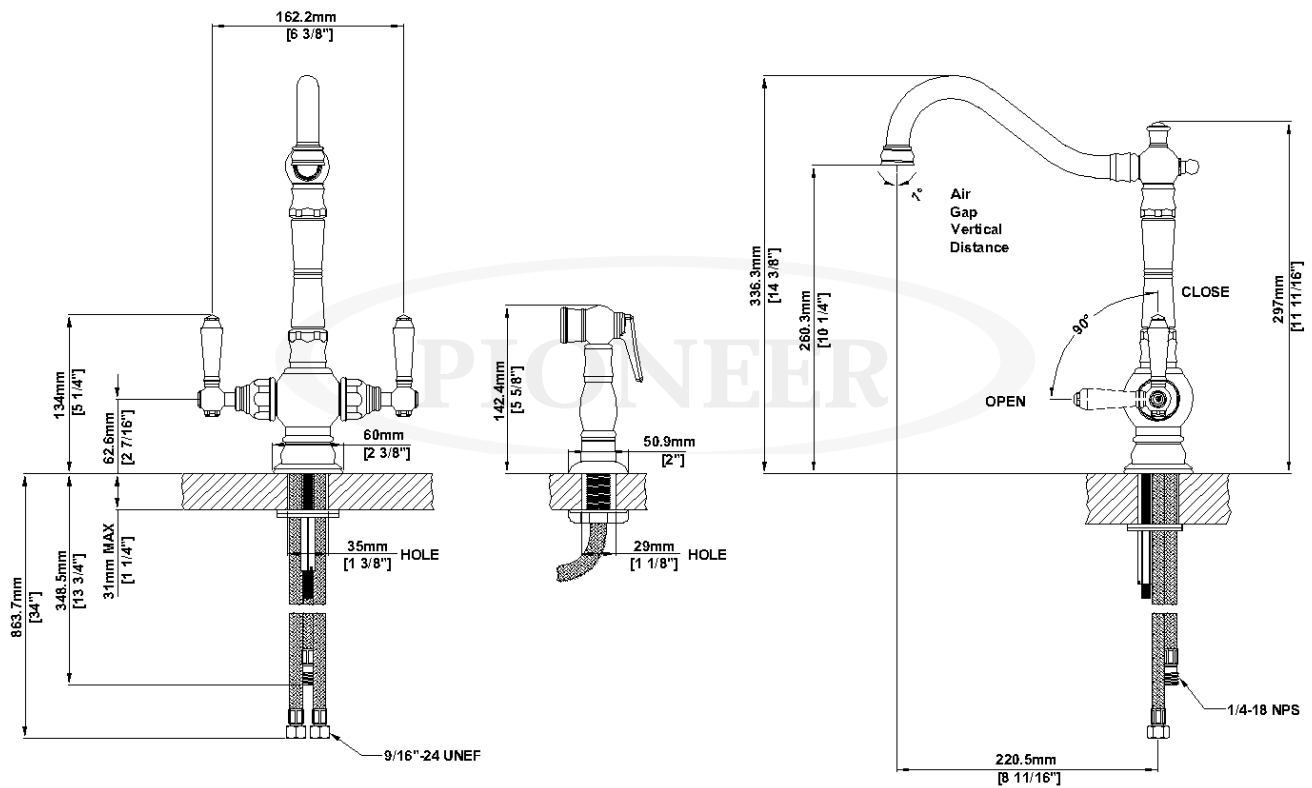
ENGINEERING EXCELLENCE

Pioneer: 1-800-338-9468
 Commerce, CA 90040
 www.pioneerind.com
 Pioneer Industries, Inc. © 2016

Installation Note:

Faucet Hole Size:- 1-1/2"

Maximum Deck Thickness:- 1-1/4" (Spray Extension available which extends spray by 1/2")



Product Diagram



ENGINEERING EXCELLENCE

Pioneer:1-800-338-9468

Commerce, CA 90040

www.pioneerind.com

Pioneer Industries, Inc. © 2016