



ENGINEERING EXCELLENCE

Motegi Series #2MT260 SPECIFICATION SHEET

DESCRIPTION

- Single Handle Pull Down Kitchen Faucet
- Metal Lever Handle
- Pull-Down Head with 2 Spray Patterns Swivel 360°
- 8-9/16" Reach, 9-15/16" from Deck to Aerator
- Ceramic Disc Cartridge
- 1 or 3-Hole 8" Installation
- Easy-Install 30" Flex Supply Lines With 3/8" Connections
- Quick Connect Spray Head Hose and Weight, Easy-install mounting nut

FINISHES

- PC Polished Chrome
- BN PVD Brushed Nickel



#2MT260 SHOWN * ADA 

FLOW

- Pull-Down Sprayhead Limited to 1.8 GPM

Model #: _____

Specific Features: _____

Project Name: _____

Submitted For: _____

STANDARDS APPLICABLE

- ASME A112.18.1
- ANSI A117.1
- ANSI / NSF 61, SECTION 9
- CAL GREEN COMPLIANT
- ADA COMPLIANT
- CONTAINS NO MORE THAN 0.25% WEIGHTED AVERAGE LEAD CONTENT

Model	Description	Finishes	
#2MT260	Single Handle Pull Down Kitchen Faucet	<input type="checkbox"/> PC	<input type="checkbox"/> Other___
#2MT261	Single Handle Pull Down Kitchen Faucet-1-Hole Install	<input type="checkbox"/> PC	<input type="checkbox"/> Other___



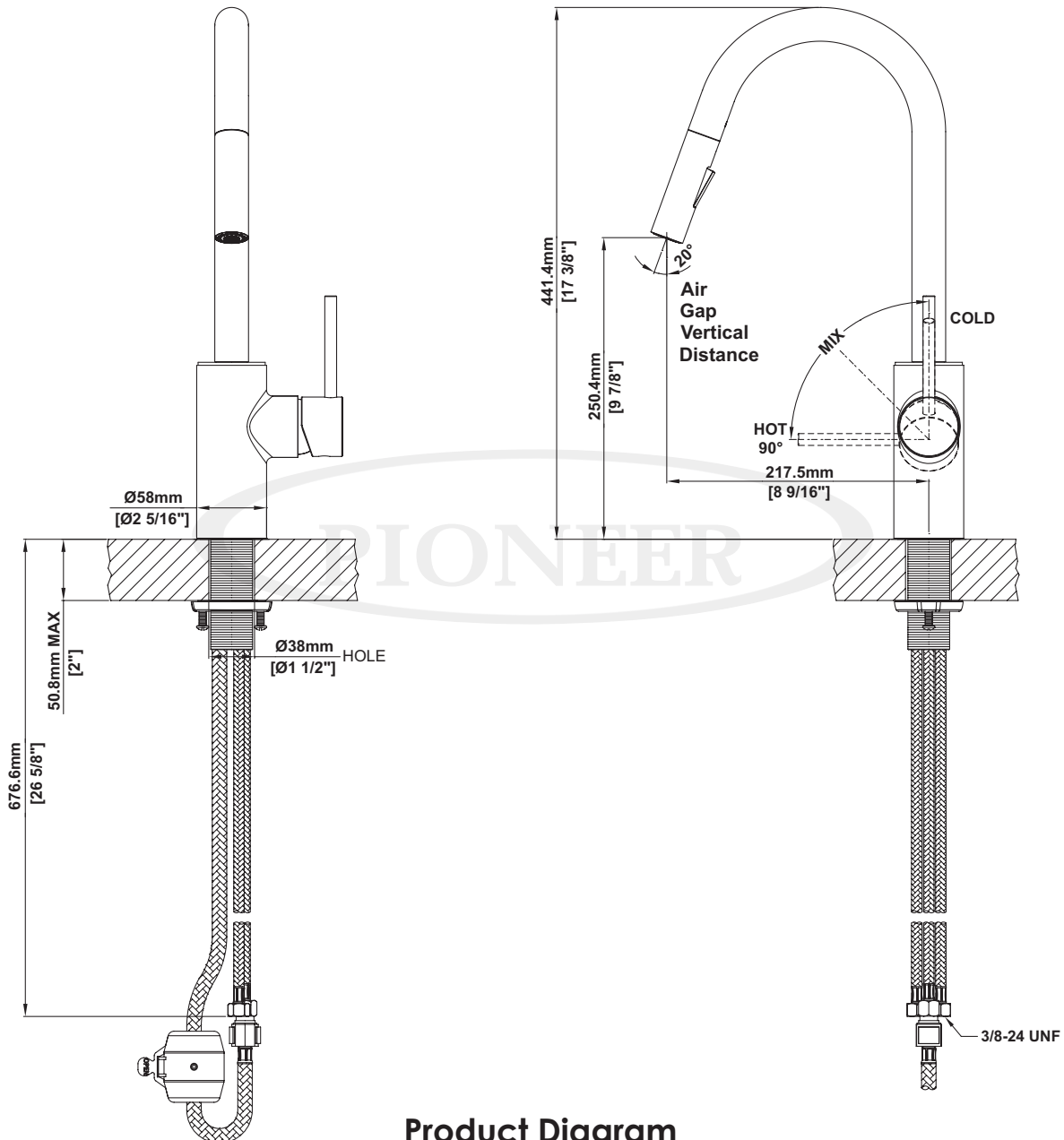
ENGINEERING EXCELLENCE

Pioneer:1-800-338-9468
 Commerce, CA 90040
 www.pioneerind.com
 Pioneer Industries, Inc. © 2018

Installation Note:

Faucet Hole Size:- 1-1/2"

Maximum Deck Thickness:- 1-1/2"



Product Diagram



ENGINEERING EXCELLENCE

Pioneer:1-800-338-9468

Commerce, CA 90040

www.pioneerind.com

Pioneer Industries, Inc. © 2018