



ENGINEERING EXCELLENCE

Del Mar Series #3DM100

SPECIFICATION SHEET

DESCRIPTION

- Two Handle Lavatory Faucet
- Metal Lever Handles
- 6-1/16" Reach, 2-1/8" From Deck to Aerator
- Ceramic Disc Cartridges
- 3-Hole 4" Installation
- Brass Pop-Up Drain Assembly

STANDARDS APPLICABLE

- ASME A112.18.1
- ANSI A117.1
- ANSI / NSF 61, SECTION 9
- CUPC / IAPMO LISTED / ADA COMPLIANT
- CONTAINS NO MORE THAN 0.25% WEIGHTED AVERAGE LEAD CONTENT

FINISHES

- PC Polished Chrome
- BN PVD Brushed Nickel

FLOW

- Aerator Limited to 1.2 GPM
- E0.5 - 0.5 GPM Flow Rate Aerator Available upon request



#3DM100 SHOWN * ADA 



Model #: _____

Specific Features: _____

Project Name: _____

Submitted For: _____

Model	Description	Finishes	
#3DM100	Two Handle Lavatory Faucet	<input type="checkbox"/> PC	<input type="checkbox"/> Other__
#3DM101	Two Handle Lavatory Faucet-Less Pop-up Drain	<input type="checkbox"/> PC	<input type="checkbox"/> Other__



ENGINEERING EXCELLENCE

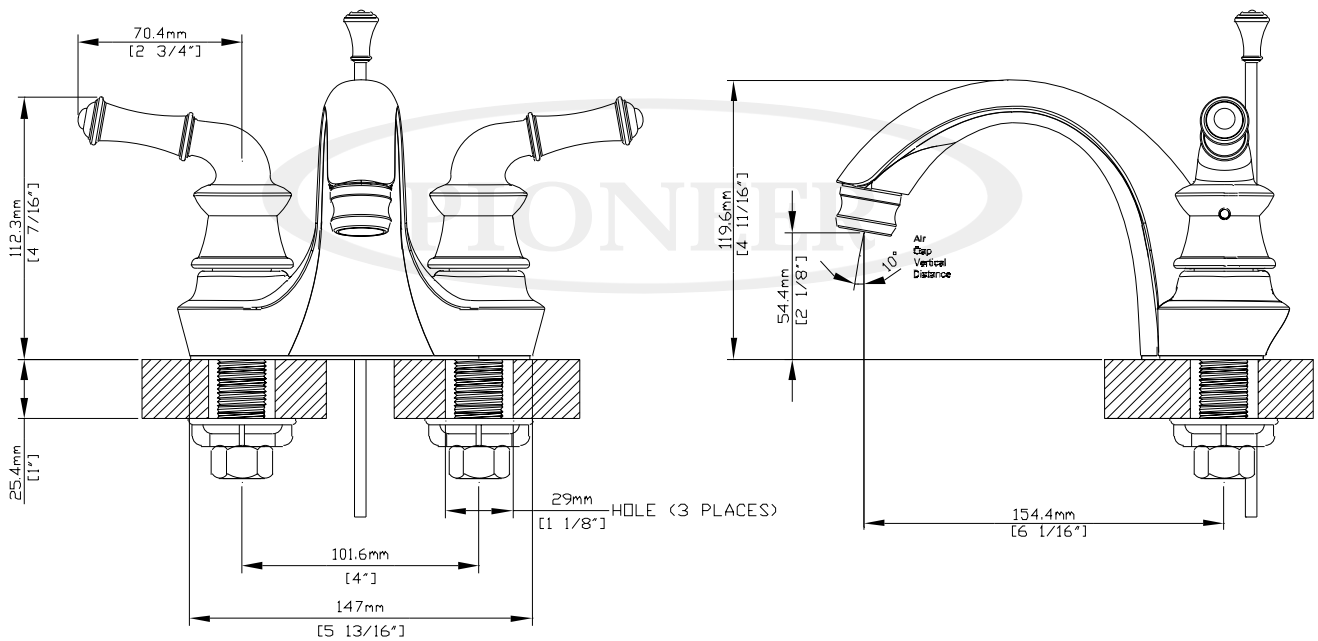
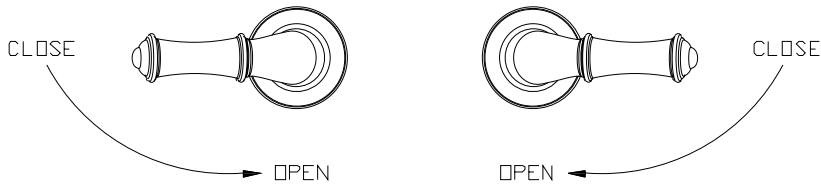
Pioneer: 1-800-338-9468
 Commerce, CA 90040
 www.pioneerind.com
 Pioneer Industries, Inc. © 2017

DMSP3DM100/REV. 11 2017

Page 1 of 2

Installation Note:

Faucet Hole Size :- 1-1/4"
 Maximum Deck Thickness:- 1"



Product Diagram



ENGINEERING EXCELLENCE

Pioneer:1-800-338-9468
 Commerce, CA 90040
 www.pioneerind.com
 Pioneer Industries, Inc. © 2017