



ENGINEERING EXCELLENCE

Mod Series #3MO180 SPECIFICATION SHEET

DESCRIPTION

- Single Handle Lavatory Faucet
- Metal Lever Handle
- Rigid Spout
- 4-7/8" Reach, 6" from Deck to Aerator
- Ceramic Disc Cartridge
- 1-Hole Installation
- Brass Pop-Up Drain Assembly
- Easy-Install 18" Flex Supply Lines With 3/8" Connections
- With 1.2 GPM Laminar Flow Rate

FINISHES

- PC Polished Chrome
- BN PVD Brushed Nickel
- MB Matte Black



#3MO180 SHOWN * ADA 

FLOW

- Aerator Limited to 1.2 GPM
 - E0.5 - 0.5 GPM Flow Rate
- Aerator Available upon request

Model #: _____

Specific Features: _____

Project Name: _____

Submitted For: _____

STANDARDS APPLICABLE

- ASME A112.18.1
- ANSI A117.1
- ANSI / NSF 61, SECTION 9
- CUPC / IAPMO LISTED / ADA COMPLIANT
- CONTAINS NO MORE THAN 0.25% WEIGHTED AVERAGE LEAD CONTENT



Certified by IAPMO R&T

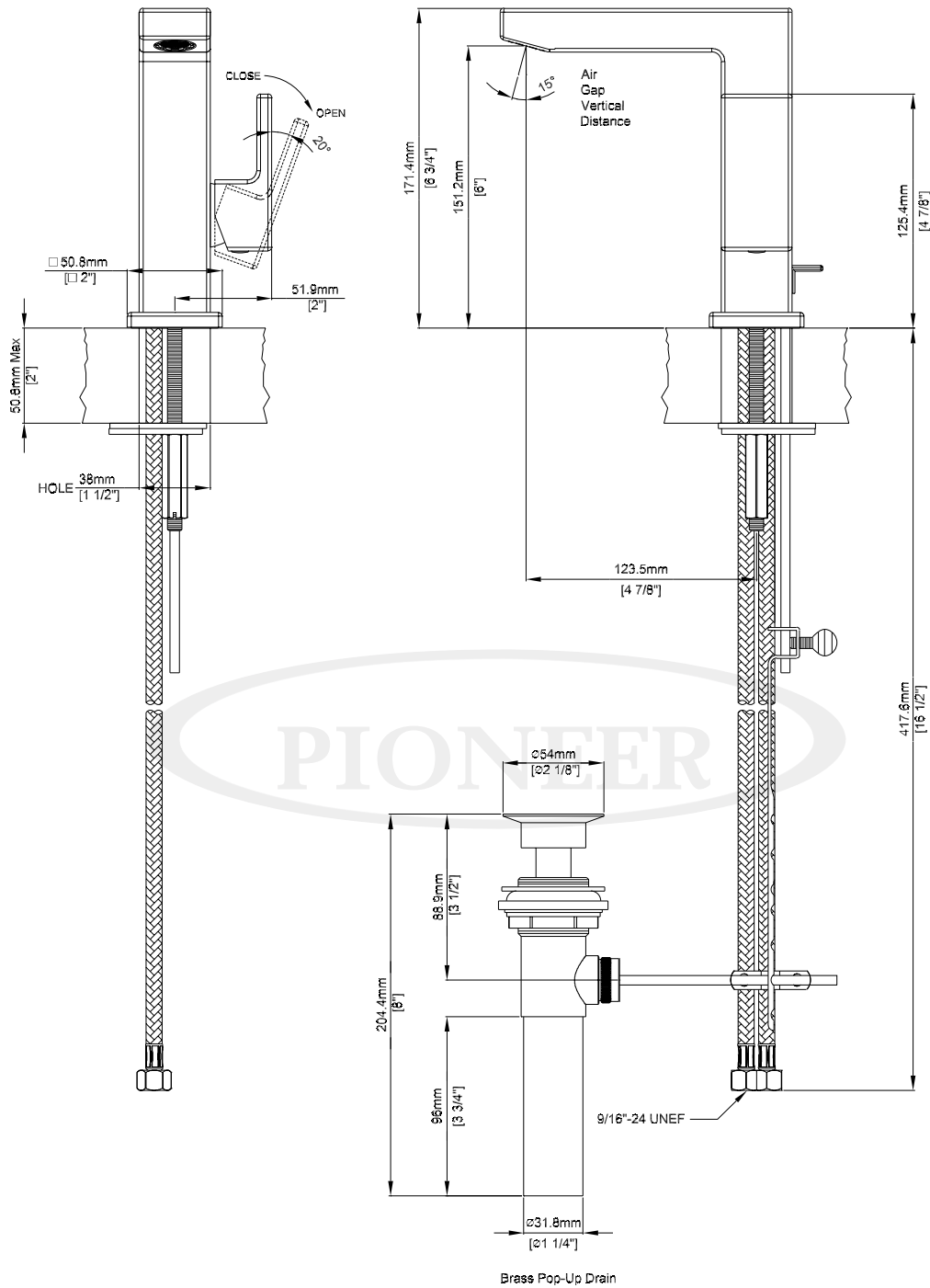
Model	Description	Finishes	
#3MO180	Single Handle Lavatory Faucet	<input type="checkbox"/> PC	<input type="checkbox"/> Other___



ENGINEERING EXCELLENCE

Pioneer:1-800-338-9468
 Commerce, CA 90040
 www.pioneerind.com
 Pioneer Industries, Inc. © 2015

DMSP3MO180/REV. 11 2017
 Page 1 of 2



Product Diagram



ENGINEERING EXCELLENCE

Pioneer: 1-800-338-9468

Commerce, CA 90040

www.pioneerind.com

Pioneer Industries, Inc. © 2015