



# ENGINEERING EXCELLENCE

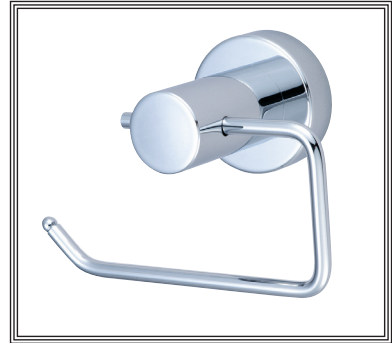
## Motegi Series #7MT032 SPECIFICATION SHEET

### DESCRIPTION

- Toilet Tissue Holder
- Brass Mount
- Concealed Screw Installation
- Mounting Hardware

### FINISHES

- PC PVD Polished Chrome
- BN PVD Brushed Nickel
- PB PVD Polished Brass
- PN PVD Polished Nickel
- SS PVD Stainless Steel
- ORB Oil Rubbed Bronze



#7MT032 SHOWN

Model #: \_\_\_\_\_

Specific Features: \_\_\_\_\_

Project Name: \_\_\_\_\_

Submitted For: \_\_\_\_\_

Model	Description	Finishes
#7MT032	Toilet Tissue Holder	<input type="checkbox"/> PC <input type="checkbox"/> Other ____

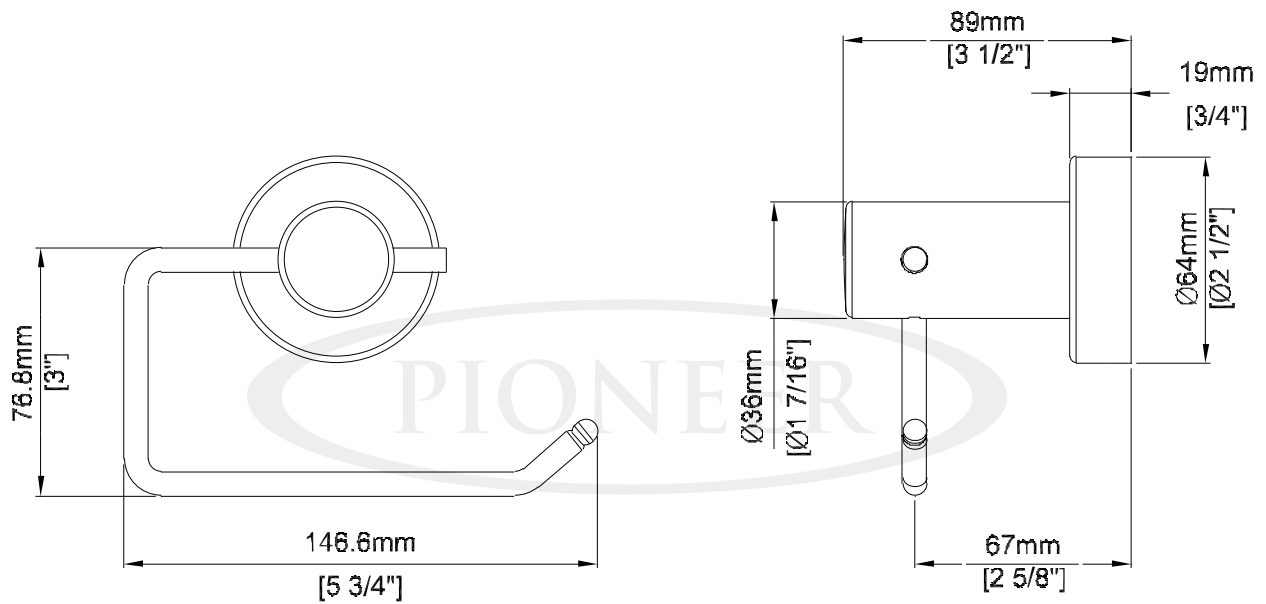


ENGINEERING EXCELLENCE  
 Pioneer:1-800-338-9468  
 Commerce, CA 90040  
 www.pioneerind.com  
 Pioneer Industries, Inc. © 2012

DMSP7MT032/REV. 06 2012  
 Page 1 of 2

**Installation Note:**

Please refer to the Installation Guide for complete installation instructions



**Product Diagram**



ENGINEERING EXCELLENCE

Pioneer: 1-800-338-9468  
 Commerce, CA 90040  
 www.pioneerind.com  
 Pioneer Industries, Inc. © 2012