



ENGINEERING EXCELLENCE

Motegi Series #X-6400012

SPECIFICATION SHEET

DESCRIPTION

- Single Function Rain Shower-head
- Rub-Clean Anti-Scale Spray
- Brass Ball Swivel Joint
- 8" Face

FINISHES

- PC PVD Polished Chrome
- BN PVD Brushed Nickel



#X-6400012 SHOWN

STANDARDS APPLICABLE

- ASME A112.18.1

FLOW

- Showerhead Limited to 2.5 GPM Flow Rate

Model #: _____

Specific Features: _____

Project Name: _____

Submitted For: _____

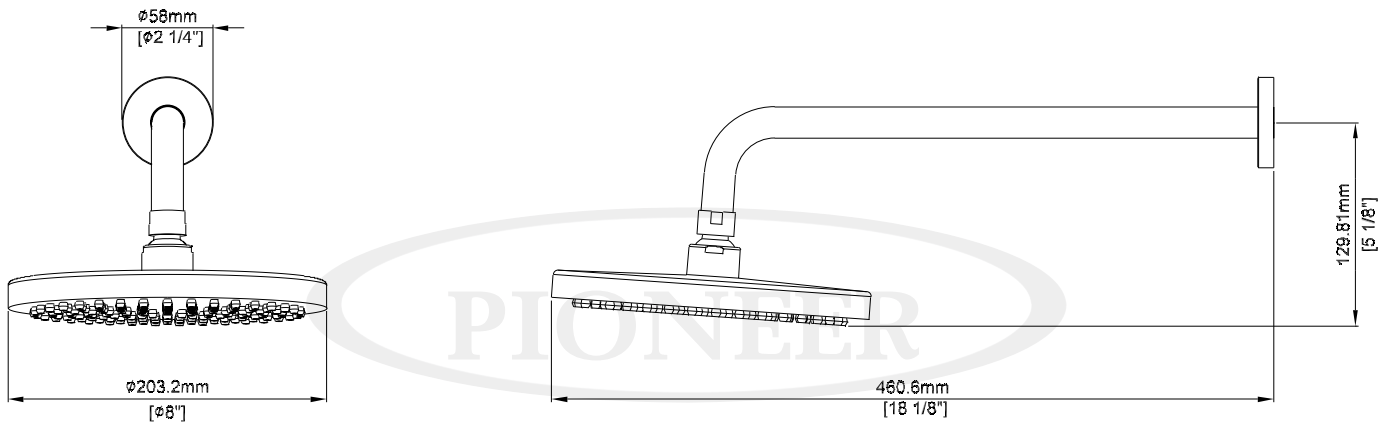
Model	Description	Finishes	
#X-6400012	Single Function Rain Showerhead	<input type="checkbox"/> PC	<input type="checkbox"/> Other____



DMSPX-6400012/REV. 12 2009
Page 1 of 2

ENGINEERING EXCELLENCE

Pioneer: 1-800-338-9468
Commerce, CA 90040
www.pioneerind.com
Pioneer Industries, Inc. © 2009



Product Diagram



ENGINEERING EXCELLENCE

Pioneer: 1-800-338-9468
Commerce, CA 90040
www.pioneerind.com
Pioneer Industries, Inc. © 2009