

CODE NUMBER

27231004

DESCRIPTION

ST-2029 Water Closet and GEM-2 111 Flushometer.

COMPONENTS

- Flushometer: Code 3070004
- Water Closet: Code 2172029

DETAILS

- Flush Volume: 1.6 gpf (6.0 Lpf)
- Nominal Dimensions: 25 ¼" x 16 1/125" x 17" (641 x 407 x 432mm)

FLUSHOMETER FEATURES

- Fixed Volume Piston with Filtered O-ring Bypass
- ADA Compliant Metal Oscillating Non-Hold-Open Handle
- Control Stop Plug
- Spud Coupling, Wall and Spud Flanges for 1½" Top Spud
- Cast Set Wall Flange with Set Screw
- Sweat Solder Adaptor with cover tube
- Non-Hold-Open Handle and No External Volume Adjustment to Ensure Water Conservation
- Handle Packing, Stop Seat and Vacuum Breaker Molded from PERMEX® Rubber Compound for Chloramine Resistance
- 1" I.P.S. Screwdriver Bak-Chek® Angle Stop

FIXTURE FEATURES

- White Vitreous China
- Permanent SloanTec® hydrophobic antimicrobial glaze inhibits the growth and buildup of germs, bacteria, mold, mildew and mineral scale on the surfaces
- Elongated bowl
- Floor mounted, floor outlet
- Siphon jet flushing action achieves 1000g Map score when used with any Sloan flushometer
- Water spot area: 10½" x 9¾" (26 cm x 24 cm)
- 1½" I.P.S. top spud inlet
- 2½" fully glazed trapway
- Closet bolts and caps included
- Toilet seat not included



COMPLIANCES & CERTIFICATIONS



(EPD, HPD)

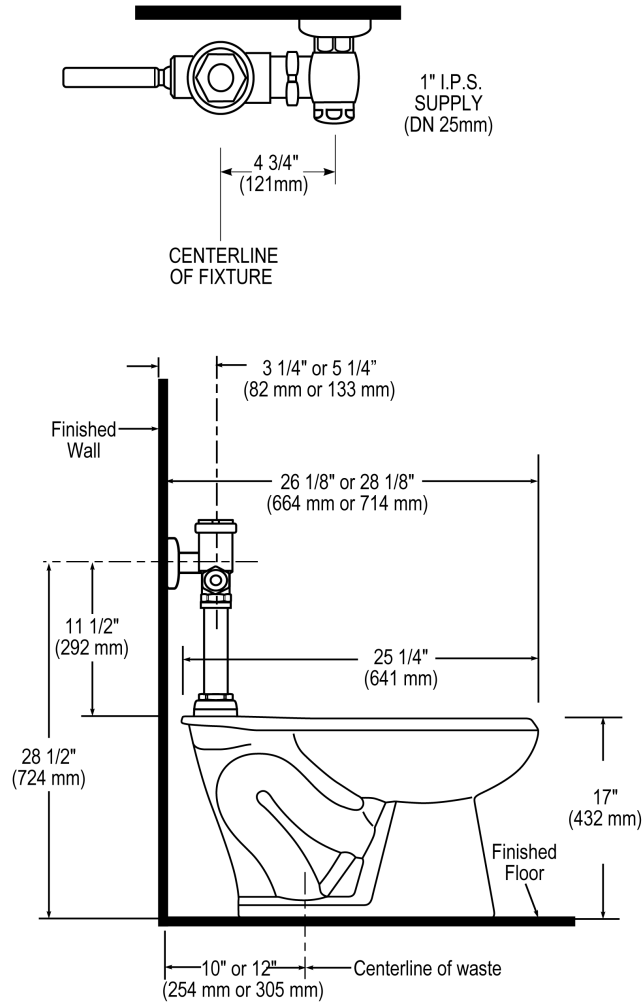
NOTES

All information contained within this document subject to change without notice.

Sloan 10500 Seymour Ave, Franklin Park, IL 60131

Phone: 800.982.5839 • Fax: 800.447.8329 • sloan.com

ROUGH-IN



Sloan 10500 Seymour Ave, Franklin Park, IL 60131
 Phone: 800.982.5839 • Fax: 800.447.8329 • sloan.com