

VINYL-COATED STEEL CLAMPS

»» 523 SERIES

SPECIFICATION

Sioux Chief 523 Series vinyl-coated steel clamps shall be used where necessary for fastening pipe or other conduit. Clamp is designed to wrap around and secure conduit with a screw. Clamp shall be galvanized for corrosion resistance, and vinylcoated to protect copper pipe or other conduit from electrolysis. Clamp shall be secured to the PowerBar™ adjustable bracket with a screw, or may be screwed directly to building member. Clamp can be used to secure the PowerBar™ adjustable bracket to 3/8" threaded rod for suspended installations.

MATERIALS

Clamp: galvanized steel

Vinyl coating: hot-dip bonded Plastisol, UL-94 V0 flame rating

Screw: #8 x 1" zinc-coated, drill-tip, panhead Phillips

SAFE WORKING LOAD

When fastened to PowerBar™: 150 lbs. (14" span)

TEMPERATURE RATING

Melting point: 200°F (93°C)

COMPATIBILITY

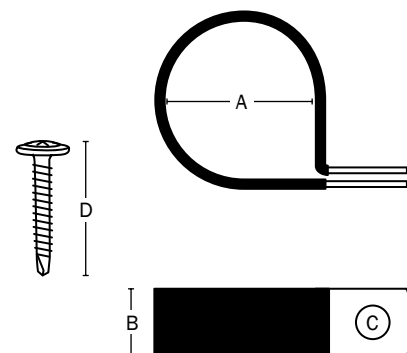
Vinyl-coated steel clamps are not CPVC compatible.

DIMENSIONS

	523-31	523-32	523-33	523-34
A: Clamp capacity	0.313" I.D. 0.375" nom.	0.625" I.D. 0.5" nom.	0.875" I.D. 0.75" nom.	1.125" I.D. 1" nom.
B: Strap width	0.5"	0.5"	0.5"	0.5"
C: Hole size	0.281"	0.281"	0.281"	0.281"
D: Screw length	1"	1"	1"	1"



523-33



ITEM # SUBMITTED	_____
JOB NAME	_____
LOCATION	_____
ENGINEER	_____
CONTRACTOR	_____
PO#	_____ TAG _____

Made in USA

Create Item Number

523-A

e.g. **523-32:** vinyl-coated, galvanized steel clamp, 5/8" I.D. for 1/2" nom. copper tube.

CLAMP SIZE A

31 = 3/8" threaded rod/re-bar/copper tube

32 = 1/2" nom. copper tube or conduit

33 = 3/4" nom. copper tube or conduit

34 = 1" nom. copper tube or conduit