



SYMMONS® Allura®

Widespread Lavatory Faucet SLW-4712

Installation and Service Instructions



Model Numbers

SLW-4712 Lavatory faucet with pop-up drain

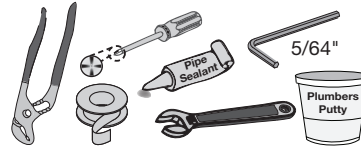
Note: Instructions replace document ZV-782 as of June 2012.

Alternate Finish Code

append to part numbers when applicable

- STN Satin Nickel
- Chrome (standard)

Tools & Materials



Compliance

- ASME A112.18.1/CSA B125.1
- NSF/ANSI 61.9, NSF/ANSI 372
- WaterSense 1.0 & 1.5 gpm

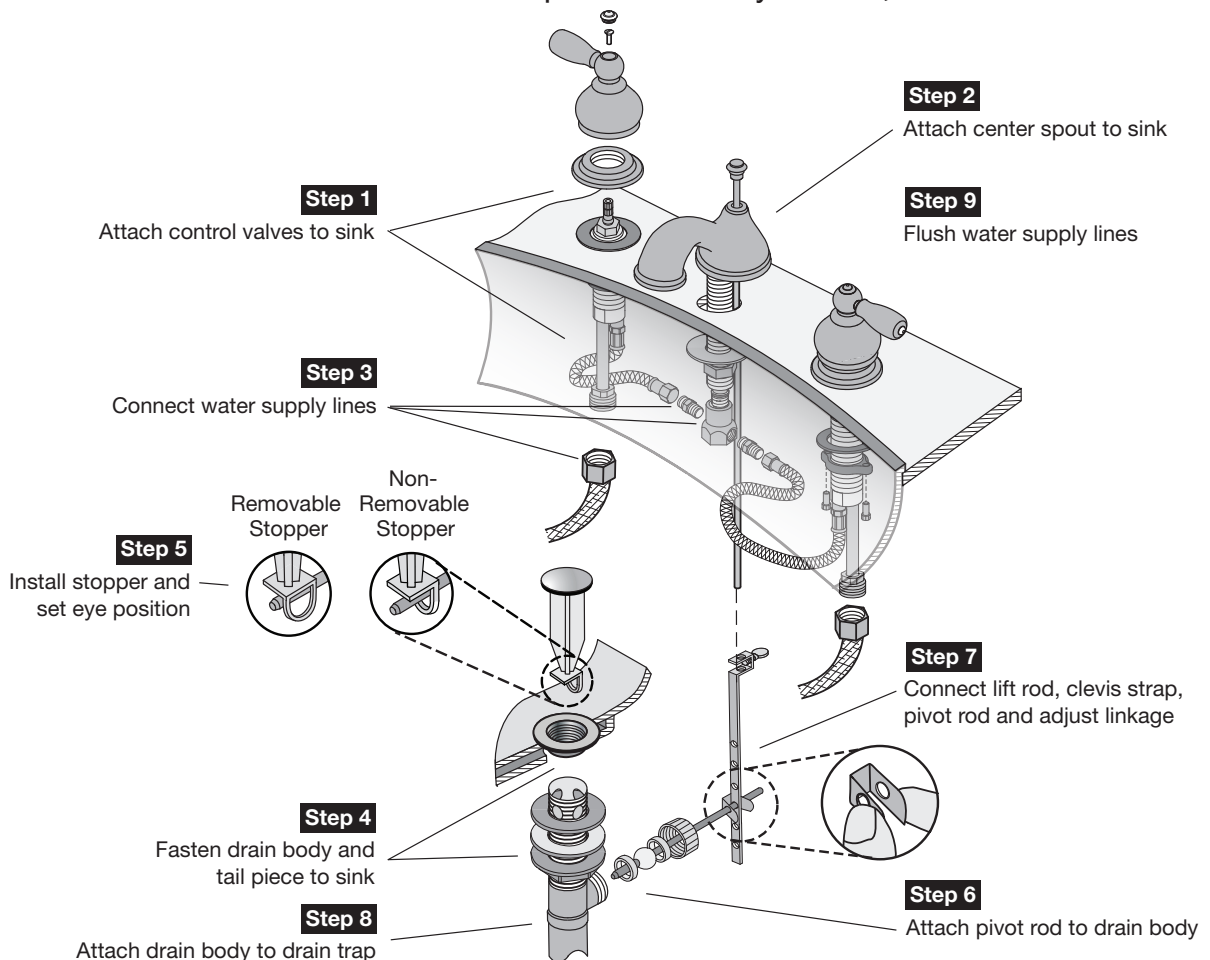


Need Help?

Contact Symmons customer service at (800) 796-6667, (781) 848-2250
 Email: customerservice@symmons.com
 Monday - Friday 7:30 am - 7:00 pm EST

Please check Symmons website for technical help, the latest product information and warranty policy.
www.symmons.com/service

Quick Install Guide Allura Widespread Lavatory Faucet, SLW-4712

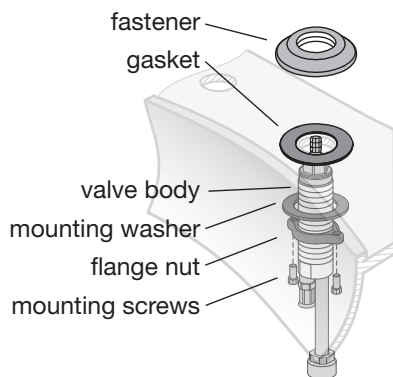


Installation Instructions

Caution: If replacing an older faucet ensure water supply is turned OFF before removing. Then turn both faucet handles to the ON position to relieve water pressure.

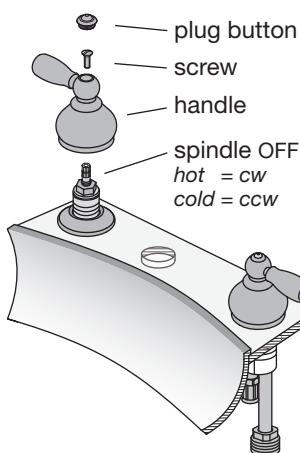
Step 1 Attach control valves to sink

- Thread *flange nut* down about 2 inches from threaded end of *valve body*.
 - Insert *valve body* from underneath sink up through mounting hole.
- Ensure valve with red striped hose (hot) is on the left and blue (cold) is on the right.



- Place *gasket* over *valve body* and thread *fastener* onto *valve body* until *fastener* is secured tightly to *valve body*.

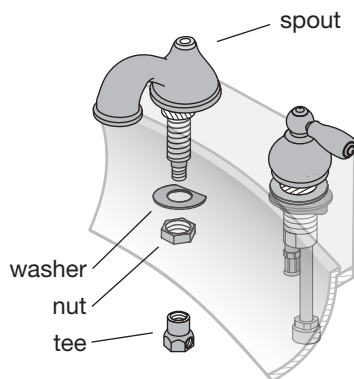
- Ensure *spindle* is rotated to the OFF position.
- Fasten *handle* to top of *spindle* located in OFF position as shown in illustration.



- Press *plug button* into top of *handle*.
- Tighten *flange nut* and *mounting washer* under sink and secure with *mounting screws* if necessary.

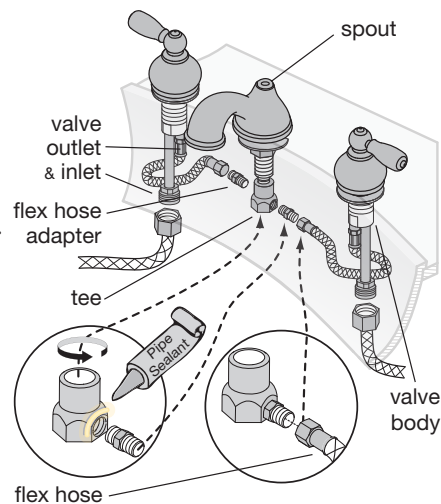
Step 2 Attach center spout to sink

- Unscrew *tee* and remove *washer* and *nut* from threaded end of *spout* as typically shipped.
- Insert through mounting hole in sink and then fasten from under sink with *washer* and *nut*.
- Tighten *nut* while ensuring *spout* is centered over mounting hole and flat edge of *washer* is facing rear of sink.



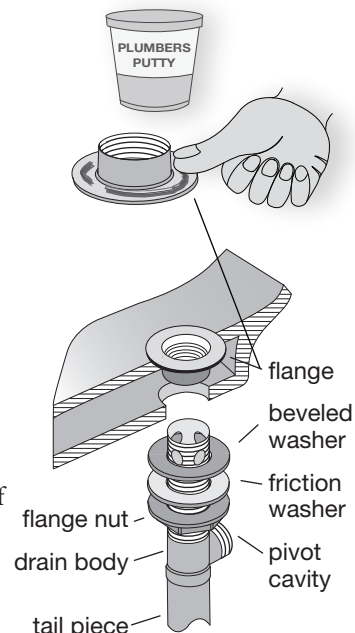
Step 3 Connect water supply lines

- Thread *tee* onto end of *spout*.
- Note: This may require 4 inches of clearance.
- Apply pipe sealant on both *flex hose adapters*. Thread into side of *tee*.
 - Attach *flex hoses* to *flex hose adapters*.
 - Plumb hot water supply to left *valve body* inlet, cold water to right inlet (1/2 inch supply hoses not included).
 - Check for leaks if only replacing faucet and drain is already installed by first turning faucet handles to the OFF position and then turn water supply valves ON.



Step 4 Fasten drain body to sink

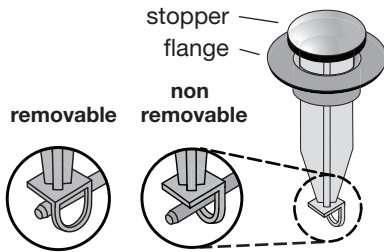
- Remove stopper, unscrew *flange* and remove flat rubber washer from end of *drain body* as shipped.
- Apply plumber's putty around bottom of *flange*.
- Move *friction washer*, *beveled washer* and *flange nut* down away from end of *drain body*.
- Place *flange* into drain opening and from under sink screw *drain body* into *flange* at least 2-3 turns until hand tight. Apply putty or teflon tape to tail piece and attach to drain body.
- Position *drain body* so *pivot cavity* is facing rear of sink and then slide *beveled washer* and *friction washer* up against sink.
- Tighten *flange nut* up against *friction washer* to evenly compress *beveled washer* while also ensuring *flange* is centered in drain opening. Take care not to over tighten *flange nut*.



Step 5 Install stopper and set eye position

Stopper can be removable or non-removable determined by position of eye hole when inserting pivot rod.

- Insert *stopper* through *flange* opening and rotate to position eye hole.

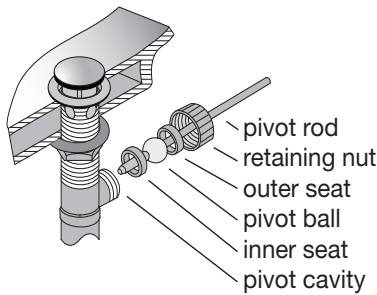


Removable stopper

When installed in removable position, move pivot rod to the up position (lift rod is in the down position when later installed). Eye hole will slide over end of pivot rod.

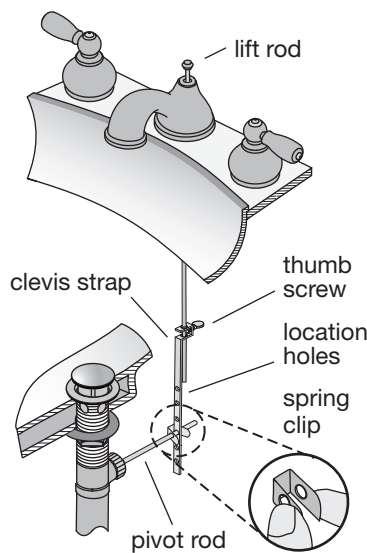
Step 6 Attach pivot rod to drain body

- Remove *retaining nut* and *outer seat* from *pivot cavity*.
- Insert *pivot rod* into *pivot cavity* so *pivot ball* is against *inner seat* and rod passes under end of *stopper* according to selected eye hole position.
- Insert *outer seat* over *pivot rod* with curved end against *pivot ball*.
- Fasten *pivot rod* to *drain body* with *retaining nut* and tighten using your fingers until ball is seated snug and *pivot rod* can move around freely.



Step 7 Connect lift rod and adjust linkage

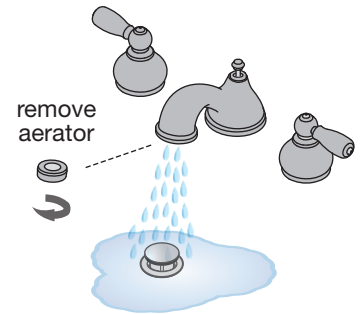
- Insert *lift rod* through hole on top of water spout.
 - Fasten end of *pivot rod* with *spring clip* through *location hole* in *clevis strap* that is best aligned to enable *lift rod* also fasten to end of *clevis strap* when in the up position and *stopper* is in the closed position.
 - Insert *lift rod* into end of *clevis strap* and fasten with *thumb screw* at location where *stopper* can be easily opened and closed.
- If necessary, select another *location hole* in *clevis strap* and re-adjust *lift rod* where fastened to *clevis strap*



Step 8 Flush water supply lines

Thoroughly flush the supply lines to prevent foreign matter, i.e. copper chips, sand, etc. from damaging the sealing surface inside control valves.

- Remove *aerator* from end of faucet water outlet by rotating counter clockwise.
- Turn hot and cold faucet handles to full ON position, open water supply valves and run long enough to flush supply lines thoroughly.
- Turn faucet OFF, replace *aerator*, and check for any water leaks.



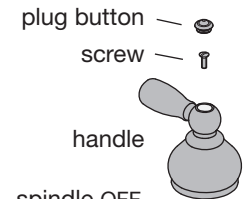
Care of faucet finish

Clean finish area by using mild soap and water or non-abrasive cleaner and then rinse immediately. A non-abrasive wax may be used to preserve finish area.

Valve cartridge replacement

Remove faucet handle

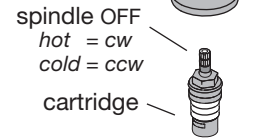
- Pry loose and remove *plug button* using your finger.
- Remove Phillips head *screw* in center of *handle*.
- Lift off *handle* from cartridge *spindle*.



Remove cartridge

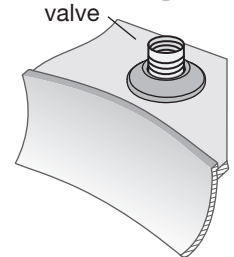
Using a wrench, turn hex nut on *cartridge* counter clockwise.

Note: Ensure valve assembly doesn't rotate under sink while turning nut.



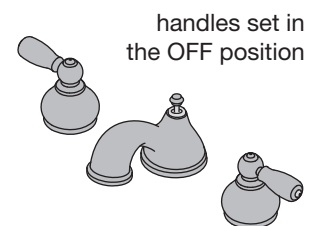
Insert new cartridge

Insert replacement *cartridge* into center of *valve* and tighten hex nut using a wrench.

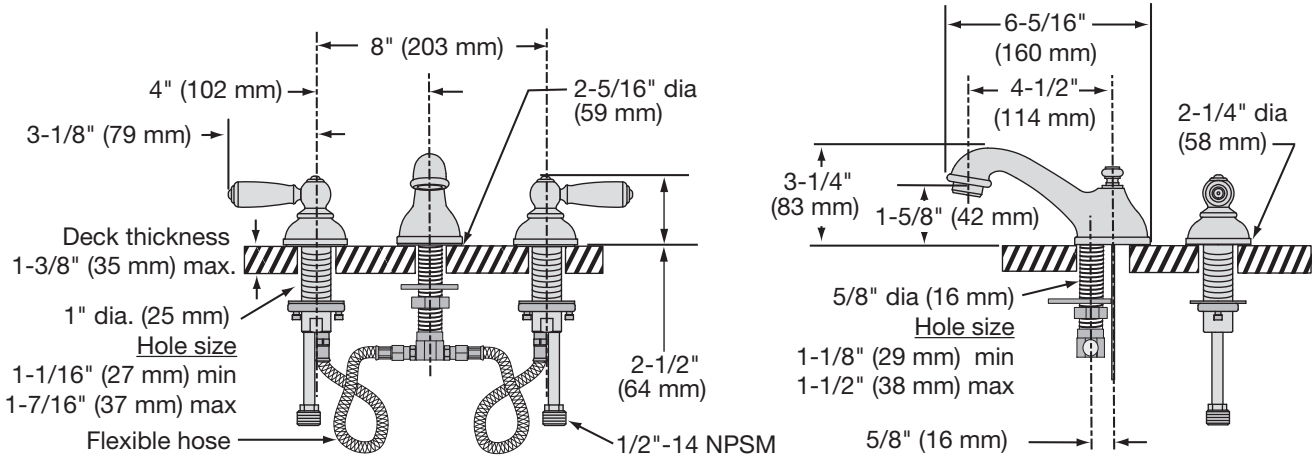


Attach handle

- Ensure *cartridge spindle* is rotated to the OFF position.
- Attach *handle* located in the OFF position as shown in illustration.
- Insert *screw* into center of *handle* and replace *plug button*.

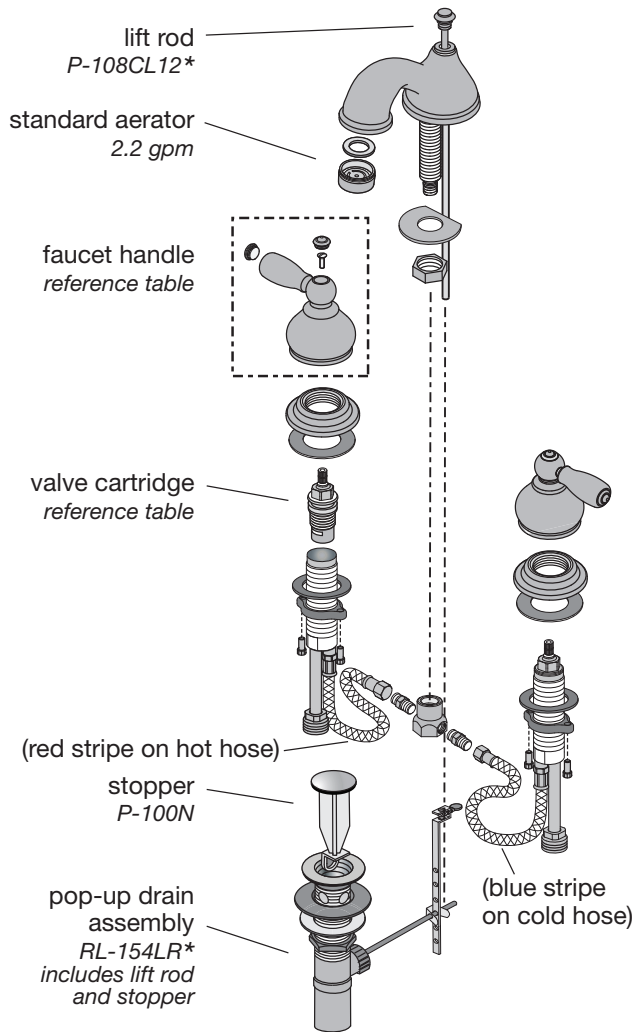


Dimensions Allura Widespread Lavatory Faucet, SLW-4712



Note: Dimensions subject to change without notice.

Parts Assembly Allura Widespread Lavatory Faucet, SLW-4712



| Replacement Parts | |
|--|---|
| Part Number | Item |
| RL-072* | Handle kit plug buttons screw handle |
| KN-114 (hot) OFF = CW KN-113 (cold) OFF = CCW | KN-113 identified by groove valve cartridge |
| LN-15* FLR-110-1.5* FLR-110-1.0* | aerator flow rates 2.2 gpm (8.3L/min) 1.5 gpm (5.7L/min) 1.0 gpm (3.8L/min) aerator |

* Note: When ordering replacements parts for faucets with an optional decorative finish, append appropriate three letter finish suffix code to part numbers marked with an asterisk (*).

Ordering replacement parts:

Call Symmons customer service at (800) 796-6667, (781) 848-2250, M-F 7:30 am - 7:00 pm EST or check our website at www.symmons.com for a list of Symmons distributors.

WARNING: This product can expose you to chemicals including lead, which is known to the state of California to cause cancer, birth defects, or other reproductive harm. For more information, go to www.P65Warnings.ca.gov.