




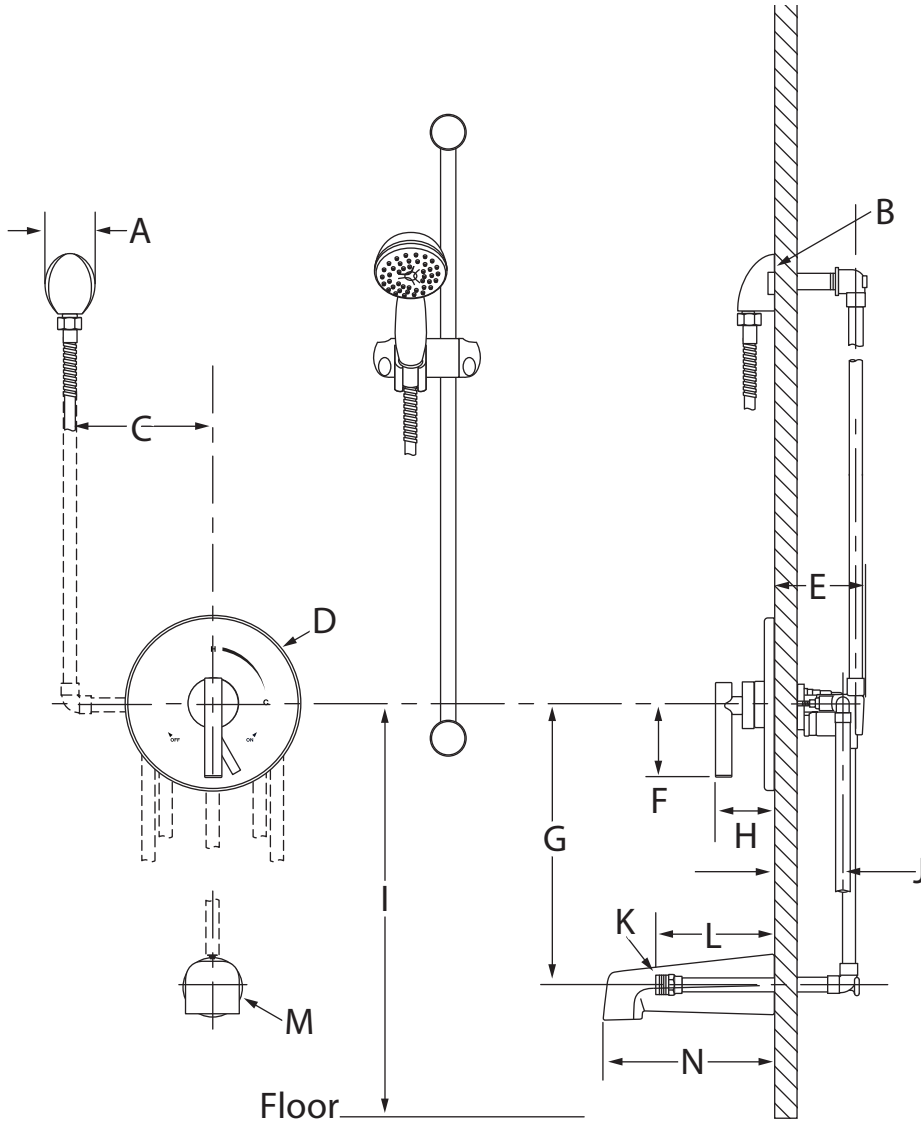


S-3504-H321-V-CYL-B-TRM  
 Dia® Tub/Hand Shower Trim  
 Operation & Maintenance Manual



| Model Numbers  | Specifications   |
|--|--|
| <input type="checkbox"/> <b>S-3504-H321-V-CYL-B-TRM</b> <i>Tub/Hand Shower Trim</i>  | <p>Tub/hand shower trim with lever handle and secondary integral diverter handle includes wall connection, 30" slide bar, non-diverter tub spout, flexible metal hose and 1 mode hand shower with dual checks, and 2.5 gpm (9.5 L/min) flow restrictor. Components made from metal and plastic materials plated in standard polished chrome finish.</p>  |
| Modifications  | Compliance   |
| <input type="checkbox"/> <b>-1.5</b>  <i>1.5 gpm (5.7 L/min) flow restrictor</i><br><input type="checkbox"/> <b>-2.0</b>  <i>2.0 gpm (7.6 L/min) flow restrictor</i><br><input type="checkbox"/> <b>Delete Suffix B</b> <i>Chrome plastic escutcheon on valve with color graphics/indicators in place of standard brass escutcheon</i><br><input type="checkbox"/> <b>-STN</b> <i>Satin nickel finish</i> | <p>-ASME A112.18.1/CSA B125.1</p>  <p><b>⚠ WARNING:</b> This product can expose you to chemicals including lead, which is known to the state of California to cause cancer, birth defects, or other reproductive harm. For more information, go to <a href="http://www.P65Warnings.ca.gov">www.P65Warnings.ca.gov</a>.</p> |
| <p><b>Note:</b> Append appropriate -suffix to model number.</p>  | Warranty   |
|  | <p><b>Limited Lifetime</b> - to the original end purchaser in consumer installations.<br/> <b>5 Years</b> - for commercial installations.</p> <p>Refer to <a href="http://www.symmons.com/warranty">www.symmons.com/warranty</a> for complete warranty information.</p>  |

## Dimensions

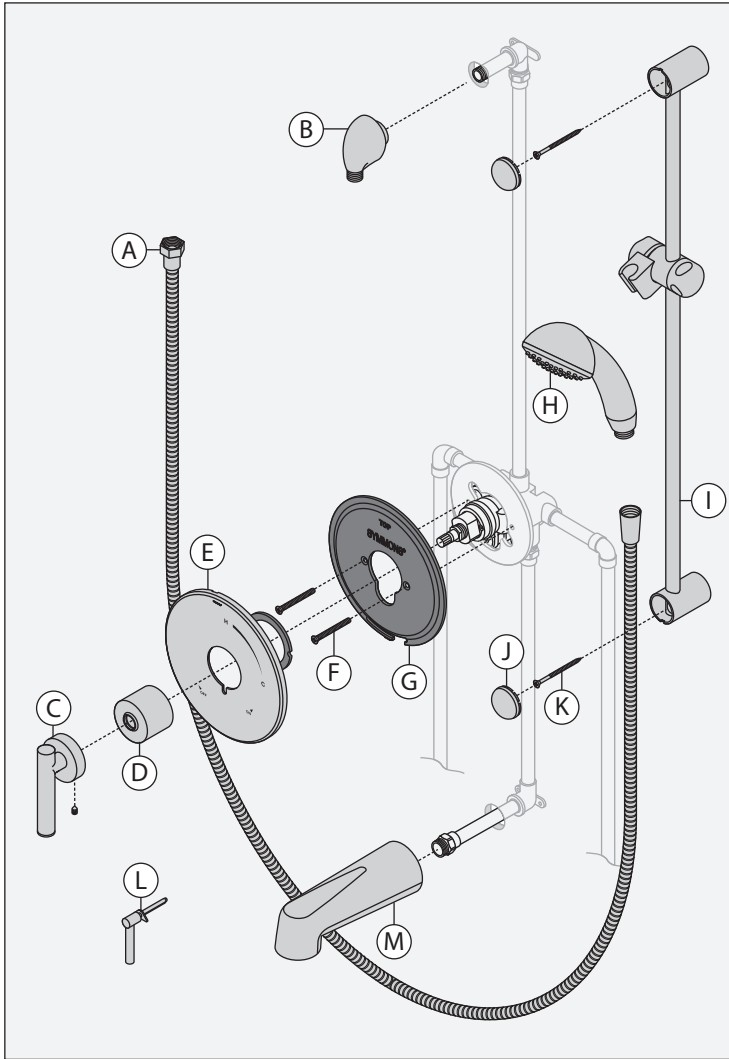


| Measurements |  |
|--------------|--|
| A            | 2 1/8", 54 mm  |
| B            | 1/2" NPT thread must be recessed 1/4" from finished wall |
| C            | 6", 152 mm right or left                                 |
| D            | Ø 7 1/2", 191 mm (brass)<br>Ø 7 3/4", 197 mm (plastic)   |
| E            | 3 1/2", 89 mm  |
| F            | 3", 76 mm  |
| G            | 12", 305 mm  |
| H            | 3 1/8", 79 mm  |
| I            | 32", 813 mm  |
| J            | (Rough in)<br>2 3/8" ± 1/2", 60 mm ± 13 mm               |
| K            | 1/2" NPT   |
| L            | 5 1/4", 133 mm   |
| M            | Ø 2 1/2", 64 mm  |
| N            | 7", 178 mm   |

### Notes:

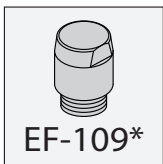
- 1) All dimensions measured from nominal rough-in (see J as reference).
- 2) Dimensions are subject to change without notice.

## Parts Breakdown



### Notes:

- 1) Apply a bead of silicone around the perimeter of all shower trim installed flush to the finished wall. Leave opening on bottom of escutcheons for weep hole.
- 2) Apply plumber tape to all threaded connections.



\*Order in-line vacuum breaker (EF-109) for hand shower systems without dual checks.

## Replacement Parts

| Item | Description               | Part Number                          |
|------|---------------------------|--------------------------------------|
| A    | Hose                      | RTS-045                              |
| C    | Handle Assembly           | T-242A                               |
| D    | Dome Cover                | T-19                                 |
| E    | Escutcheon                | RTS-011 (Brass)                      |
| F    | Mounting Screws           | RTS-012 (Plastic)                    |
| G    | Mounting Plate            |                                      |
| H    | Hand Shower Wand          | EF-100                               |
| I    | Slide Bar                 |                                      |
| J    | Bracket Caps              | SC-115                               |
| K    | Mounting Screws           |                                      |
| L    | Secondary Diverter Handle | RTS-013 (Brass)<br>RTS-014 (Plastic) |
| M    | Tub Spout                 | 067                                  |

### Note:

- 1) Append -STN to part number for Satin Nickel finish.
- 2) Append -1.5 or -2.0 to hand shower for low flow.

## Required for Installation

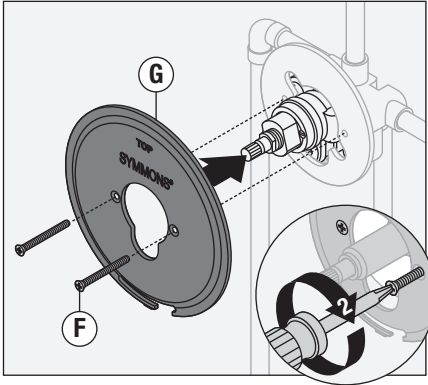
|                           |  |
|---------------------------|--|
| Adjustable wrench         |  |
| Phillips head screwdriver |  |
| Allen wrench, 3/16"       |  |
| Teflon Tape               |  |
| Power Drill               |  |

# Installation

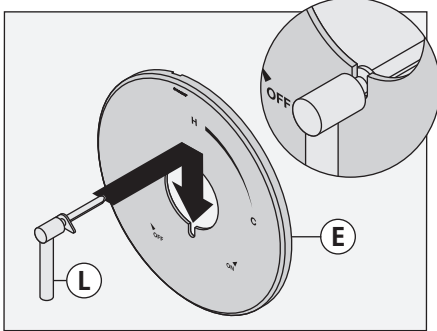
**Note:**

For valve body installation, please see valve body installation guide.

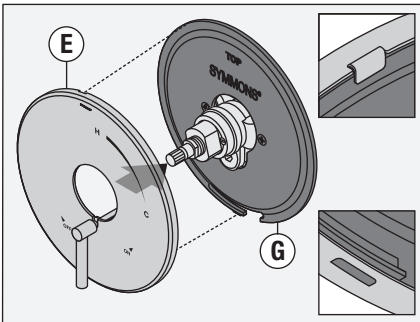
- 1) Install plastic mounting plate (G) to shower valve (S-4002-BODY). Secure with two screws (F).



- 2) Attach secondary integral diverter (L) to shower escutcheon (E).

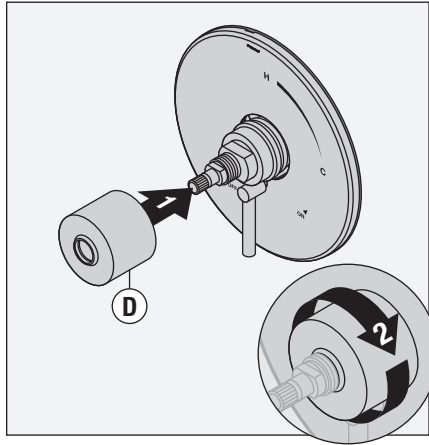


- 3) Attach shower escutcheon (E) to plastic mounting plate (G).

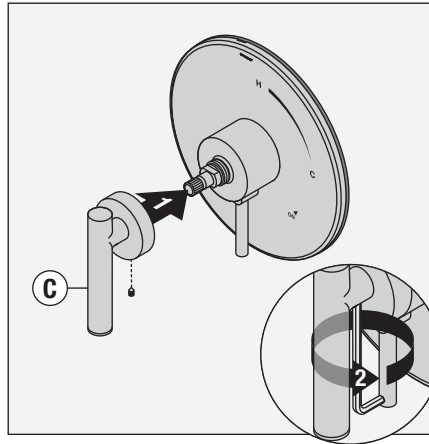


**Note:** Tabs should snap into place.

- 4) Install dome cover (D) to valve by turning clockwise.

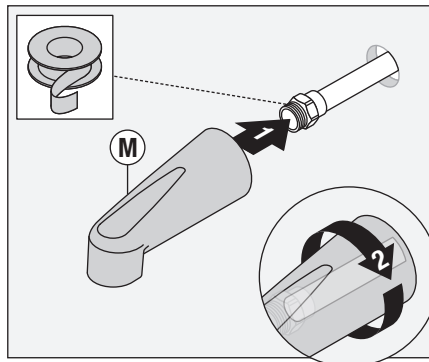


- 5) Install shower handle (C) to valve. Secure handle by tightening Allen screw.

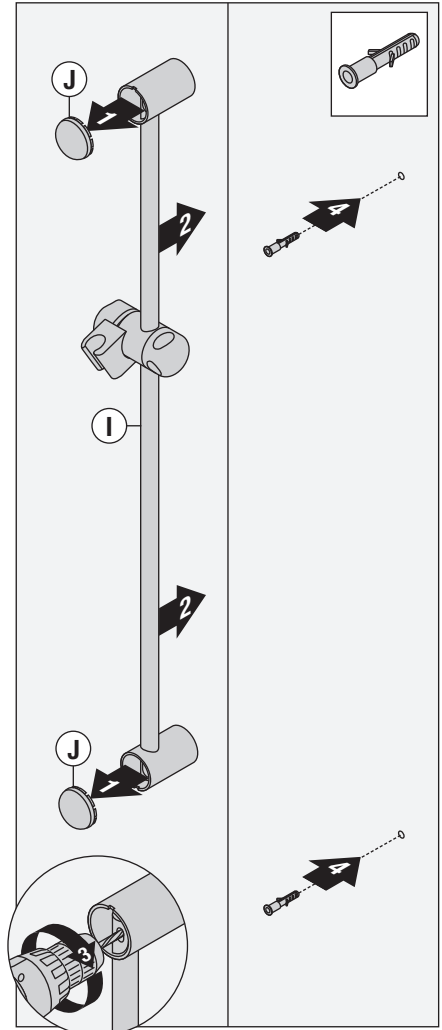


**Note:** Handle should be facing the 6 o'clock position.

- 6) Install tub spout (M) to stub out pipe. Turn clockwise to secure.



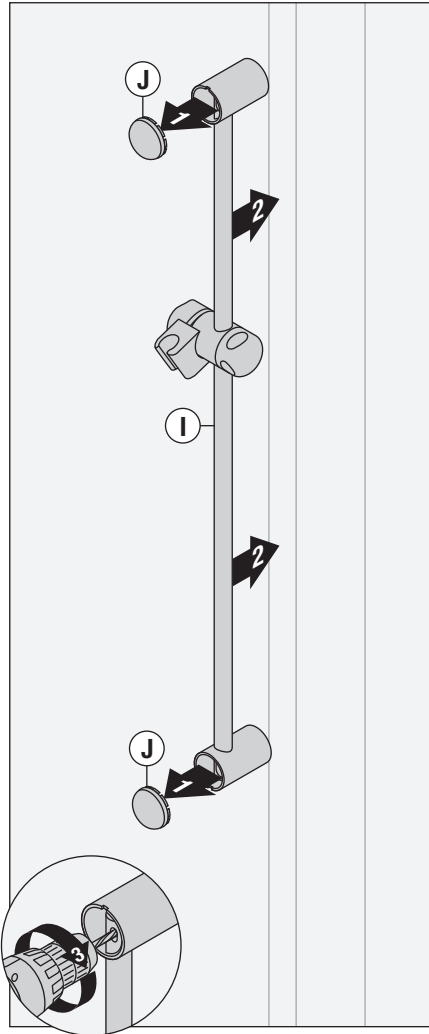
- 7a) **Dry Wall Option:** Remove upper and lower caps (J) from 30" slide bar brackets. Place 30" slide bar (I) into desired position. Using brackets as a guide, carefully drill 5/16" holes into wall. Remove 30" slide bar and install anchors.



**Notes:** Make sure that 30" slide bar holes and bracket holes are aligned before drilling. Before drilling bottom hole, make sure 30" slide bar is plumb.

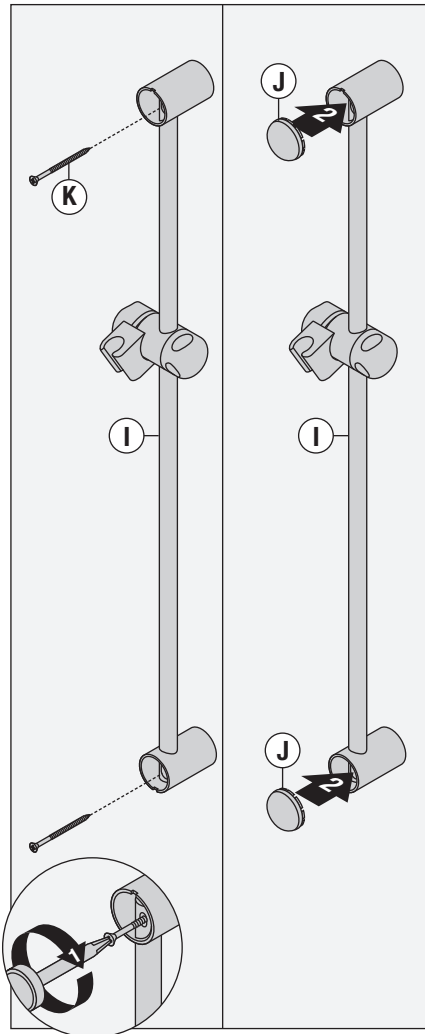
## Installation

7b) **Stud Option:** Remove upper and lower caps (J) from 30" slide bar brackets. Place 30" slide bar (I) into desired position. Using brackets as a guide, carefully drill 1/8" pilot holes into stud.

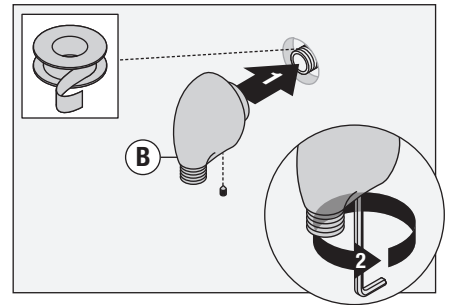


**Notes:** Make sure that 30" slide bar holes and bracket holes are aligned before drilling. Before drilling bottom hole, make sure 30" slide bar is plumb.

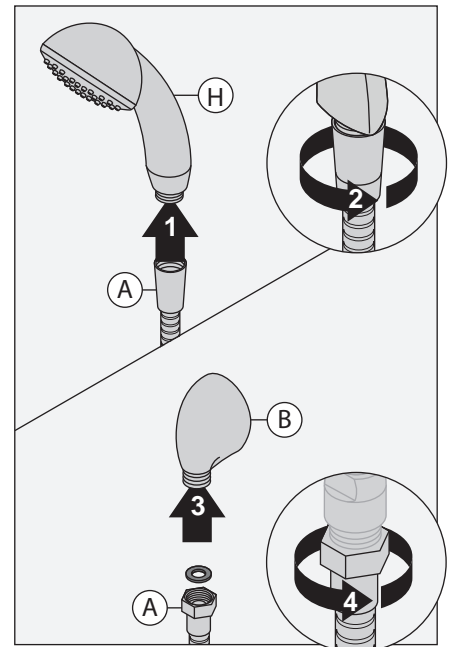
8) With 30" slide bar (I) in position, secure to wall using screws (K). Replace upper and lower caps (J) onto 30" slide bar brackets.



9) Install wall elbow (B) to stub out pipe. Tighten Allen screw (3 mm) to secure.



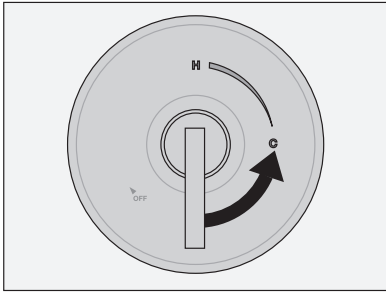
10) Attach large end of hand shower hose (A) to hand shower head (H). Attach small end of hand shower hose (A) to wall elbow (B). Turn clockwise to tighten.



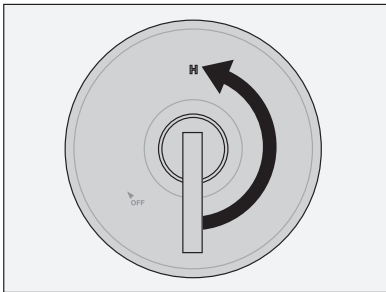
## Operation

### Temperature

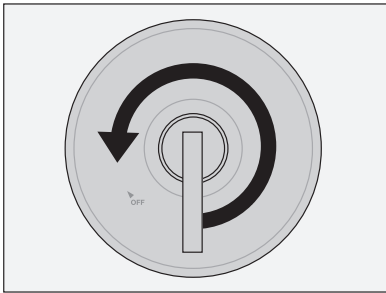
- 1) Turn shower handle counterclockwise approximately 1/4 turn to put valve in cold position.



- 2) Turn shower handle counterclockwise approximately 1/2 turn to put valve in warm position.

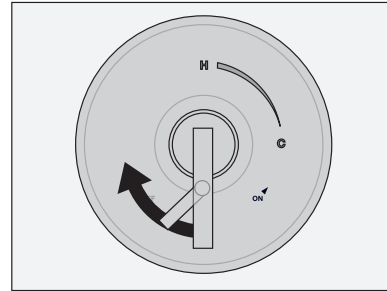


- 3) Turn shower handle counterclockwise approximately 3/4 turn to put valve in hot position.

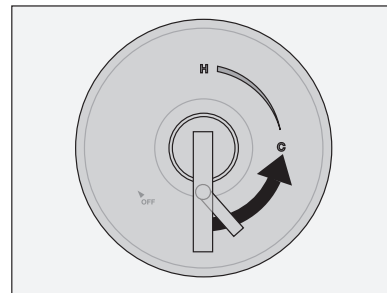


### Diverter Control

- 1) Turn diverter lever left for tub spout operation.



- 2) Turn diverter lever right for hand shower operation.



## Care and Cleaning

- 1) Clean finished trim area with a soft cloth using mild soap and water or a non-abrasive cleaner and then quickly rinse with water.

## Troubleshooting Chart

| Problem             | Cause  | Solution  |
|---------------------|--|---|
| Finish is spotting. | Elements in water supply may cause water staining on finish. | Clean finished trim area with a soft cloth using mild soap and water or a non-abrasive cleaner and then quickly rinse with water. |