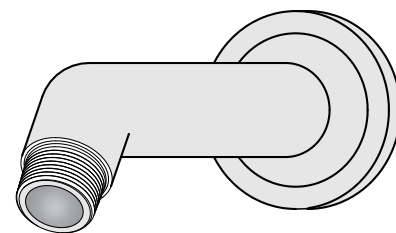


Location:


SYMMONS[®] Museo[™]

**Showerhead Arm and Flange 532SA
Specification Submittal**



Model Numbers

- 532SA Showerhead arm and flange

Finish Options

Append appropriate -suffix to model number.

- STN Satin nickel finish
- BLK Polished Graphite
- Polished chrome finish (standard)

Feature Highlights

- Polished chrome finish (standard)

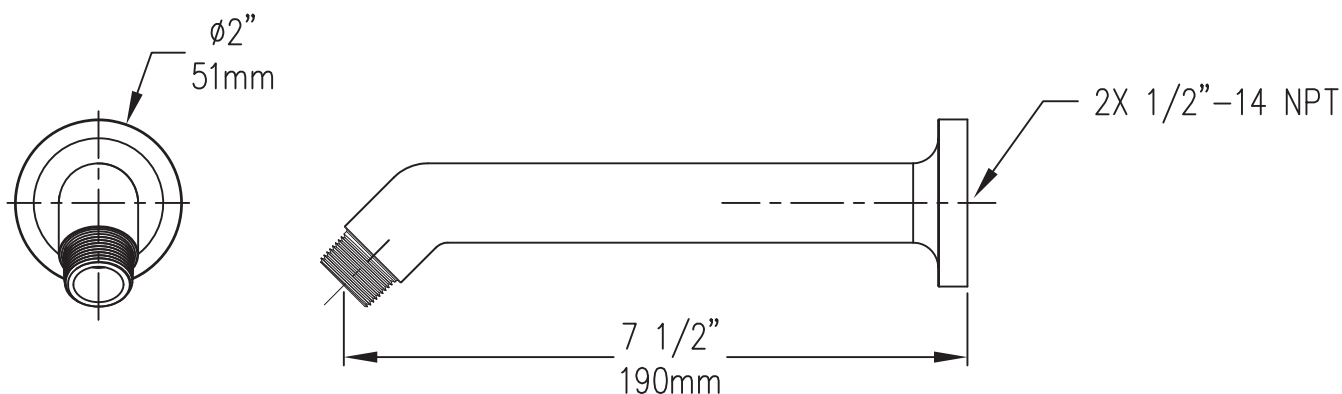
Standards / Certifications

ASME A112.18.1-2005/CSA B125.1-05

Warranty

- Limited Lifetime - to the original end purchaser in residential / consumer installations.
- 5 years - for commercial installations

Dimensions Showerhead Arm and Flange, 532SA



Note: Dimensions subject to change without notice