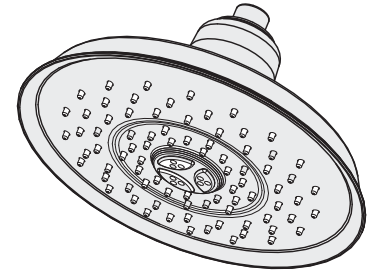


Location:



# Showerhead 402SH2 Specification Submittal



## Feature Highlights

- Showerhead, three modes, 7-1/2 inch diameter
- Standard flow rate is 2.5 gpm (9.5 L/min)  
*Optional lower flow rate restrictor available*
- Metal construction
- Polished chrome finish (standard)

## Model Numbers

- 402SH2 Showerhead

## Finish Options / Modifications

*Append appropriate -suffix to model number*

- STN Satin Nickel
- ORB Oil Rubbed Bronze
- Polished Chrome (standard finish)

## Options / Modifications

*Append appropriate -suffix to model number.*

- 2.0 2.0 (7.6 L/min) flow rate restrictor
- 1.5 1.5 (5.7 L/min) flow rate restrictor

## Standards / Certifications

ASME A112.18.1/CSA B125.1

WaterSense 2.0 gpm (7.6 L/min) MAX

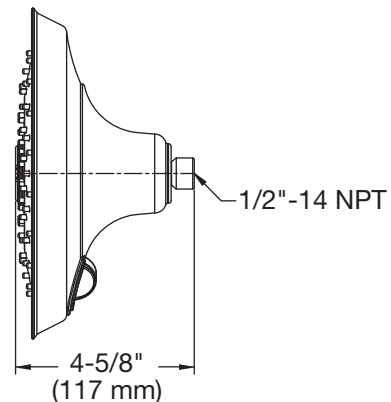
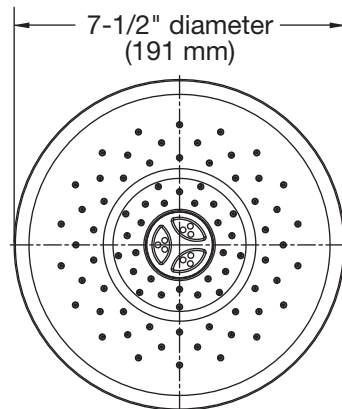
1.5 gpm (5.7 L/min) MIN



## Warranty

- Limited Lifetime - to the original end purchaser in consumer installations.
- 5 years - for commercial installations

## Dimensions Showerhead, 402SH2



**Note:** Dimensions subject to change without notice.