

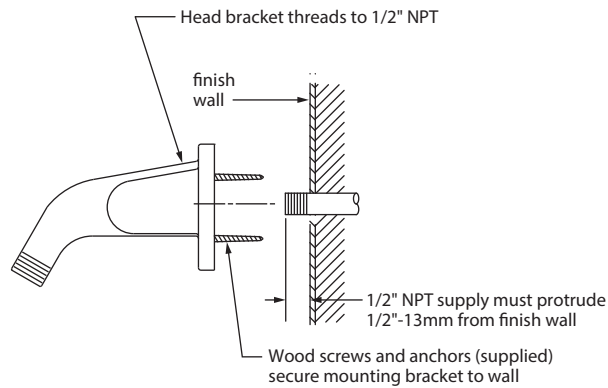
## 4-440

Symmons extended shower head mounting bracket with concealed back inlet.

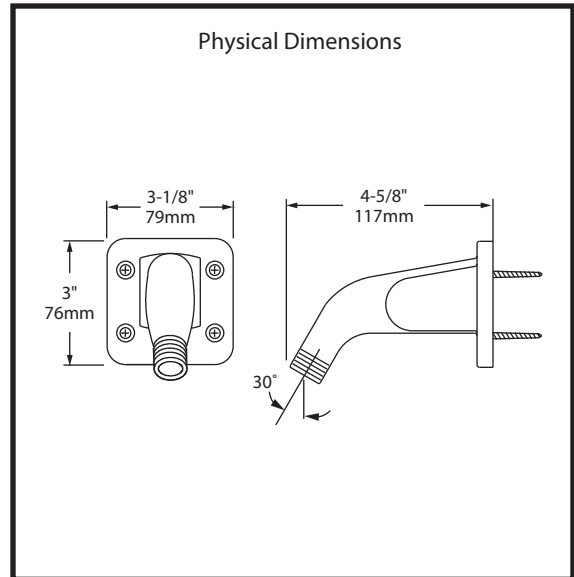
Suffix A: Anchor plate to simplify mounting on ceramic tile

Suffix B: Back plate and thru bolts for extra thick wall

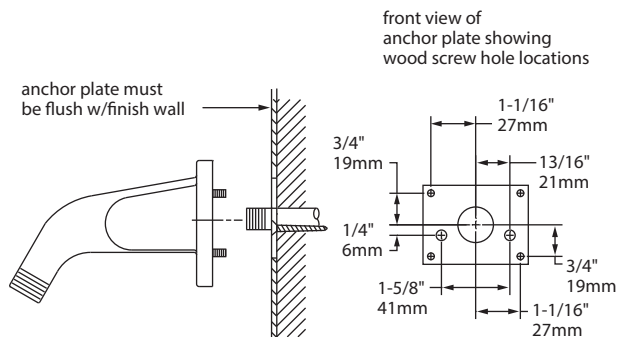
Standard Installation



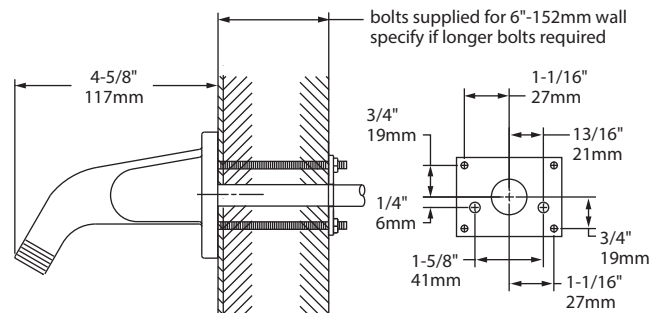
Physical Dimensions



Installation with Anchor Plate — Suffix "A"



Installation with Back Plate — Suffix "B"



Anchor plate used for ceramic tile application—plate screws to wall and tile is applied up to sides of plate. Mounting bracket is mounted on finished wall with machine screws into anchor plate