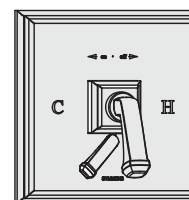
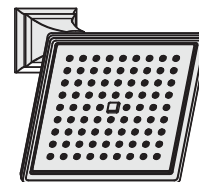


Location:

# SYMMONS® Oxford™

## Tub and Shower System S-4202 Specification Submittal



### Feature Highlights

- Symmons tub and shower system with lever handles.
- Symmons Temptrol® pressure balancing mixing valve with adjustable stop screw to limit handle turn.
- Secondary integral diverter/volume control handle
- Showerhead #422SH, arm and flange
- Standard flow rate is 2.5 gpm (9.5 L/min)
- Tub spout
- Polished chrome finish

### Model Numbers

- S-4202..... Tub and Shower System with Symmons Temptrol® pressure balancing mixing valve p/n S-4002-BODY
- S-4202-TRM..... Trim only, valve and diverter must be ordered separately
- S-4002-BODY..... Symmons Temptrol® pressure balancing mixing valve without trim
- S-4002-X-BODY...Symmons Temptrol® pressure balancing mixing valve without trim. Valve includes integral service stops to allow water shut-off for service.

### Standards / Certifications

ASME A112.18.1-2005/CSA B125.1-05

### Warranty

- Limited Lifetime - to the original end purchaser in consumer installations.
- 5 years - for commercial installations

### Options / Modifications

*Append appropriate -suffix to model number.*

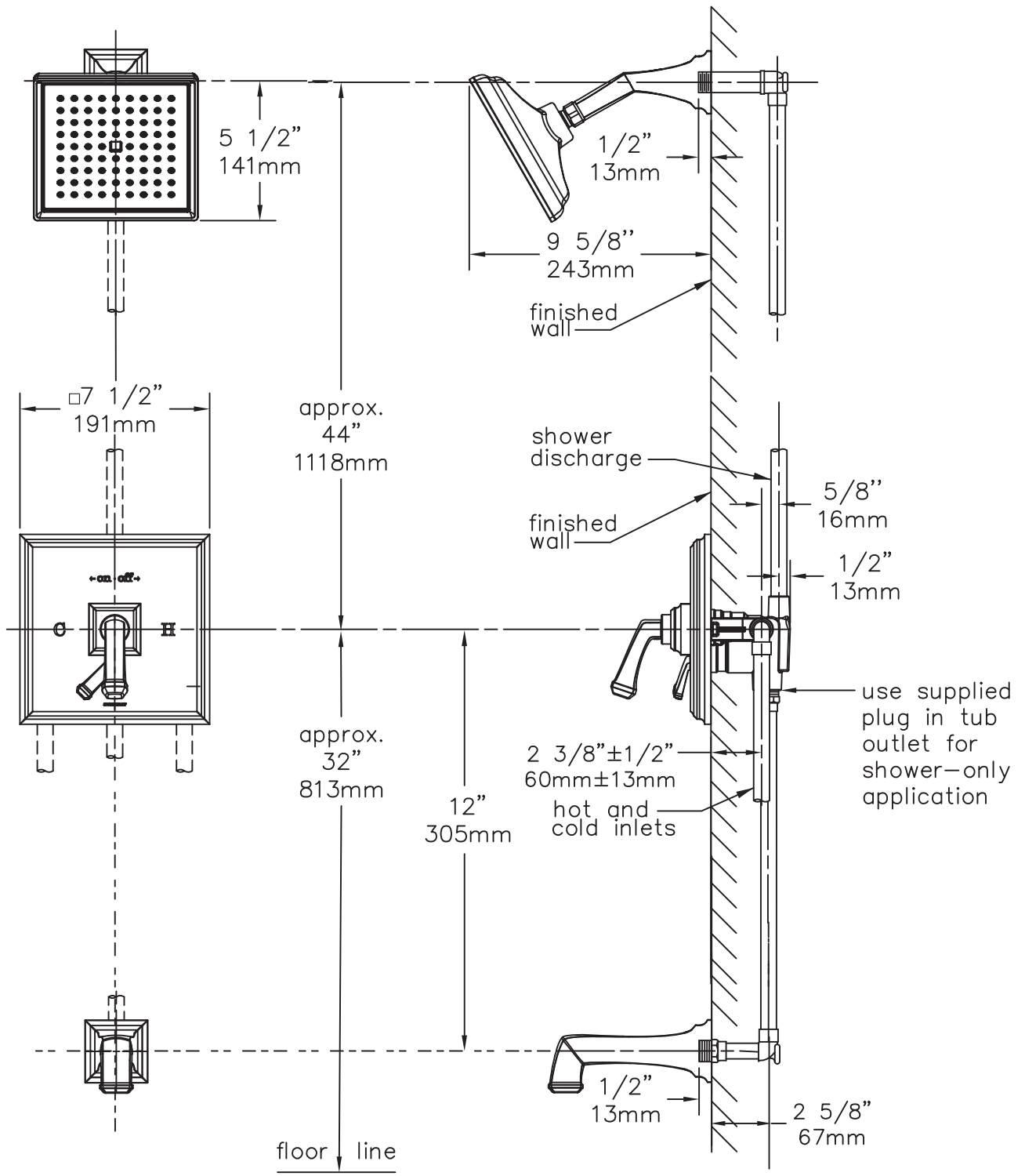
- IPS 1/2 inch female IPS connections on Symmons Temptrol® mixing valve
- X Symmons Temptrol® pressure balancing mixing valve includes integral service stops to allow water shut-off for service, p/n S-4202-X-BODY. (Option only applies when ordering model S-4202)
- L/HD Showerhead not included  
Includes showerhead arm and flange only
- VP Vandal resistant
- 2.0 2.0 (7.6 L/min) flow rate restrictor
- 1.5 1.5 (5.7 L/min) flow rate restrictor

### Finish Options / Modifications

*Append appropriate -suffix to model number.*

- STN Satin nickel
- ORB Oil Rubbed Bronze
- Polished chrome (standard finish)

## Dimensions Oxford Tub and Shower System, S-4202



**Note:** Dimensions subject to change without notice.

Symmons Industries, Inc. ■ 31 Brooks Drive ■ Braintree, MA 02184  
 (800) 796-6667, (781) 848-2250 ■ Fax (800) 961-9621, (781) 664-1300  
 Website: [www.symmons.com](http://www.symmons.com) ■ Email: [customerservice@symmons.com](mailto:customerservice@symmons.com)

©2009 Symmons Industries, Inc. Printed in U.S.A. ■ 060109 ■ ZV-823

**SYMMONS**<sup>®</sup>  
 the smart choice<sup>™</sup>