



T&S BRASS AND BRONZE WORKS, INC.
 2 Saddleback Cove / P.O. Box 1088
 Travelers Rest, SC 29690

Model No.

B-0044-H-SWV

Item No.

Travelers Rest, SC: 800-476-4103 • Simi Valley, CA: 800-423-0150 • Fax: 864-834-3518 • www.tsbrass.com

This Space for Architect/Engineer Approval

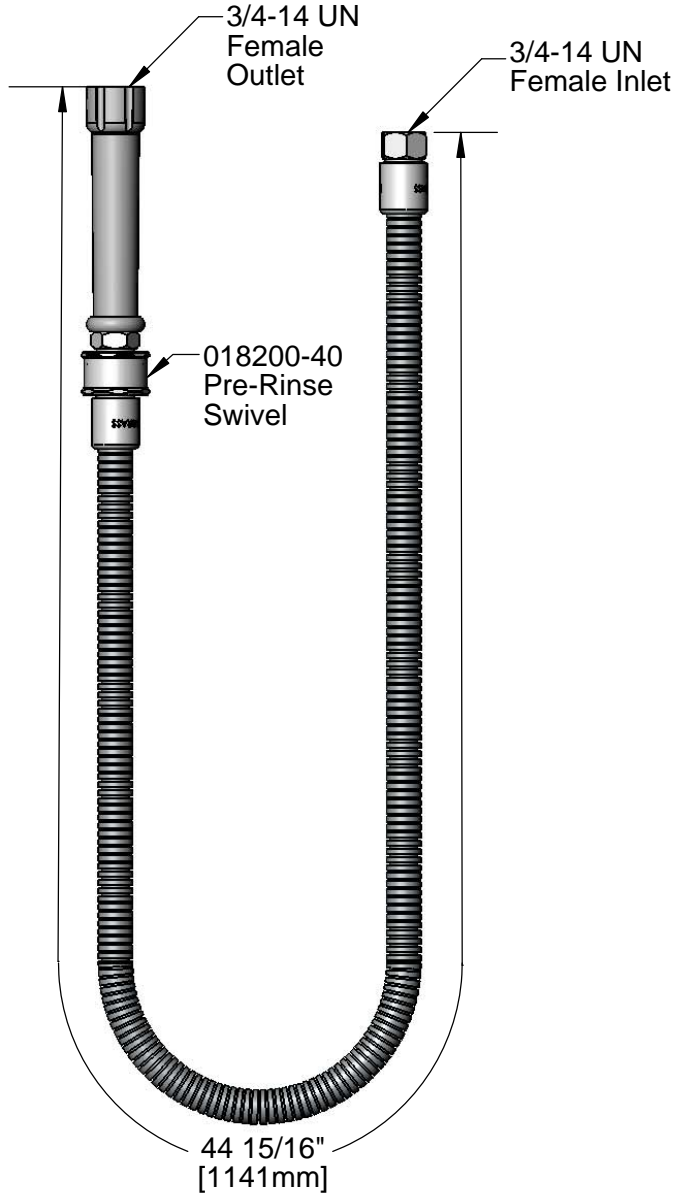
Job Name _____ Date _____

Model Specified _____ Quantity _____

Customer/Wholesaler _____

Contractor _____

Architect/Engineer _____



010476-45
Washers
(Included)

Product Specifications:
 44" Flexible Stainless Steel Hose w/ Inner Polyurethane Hose,
 Gray Handle & Pre-Rinse Swivel

Product Compliance:
 ASME A112.18.1 / CSA B125.1
 NSF 61 - Section 9
 NSF 372 (Low Lead Content)

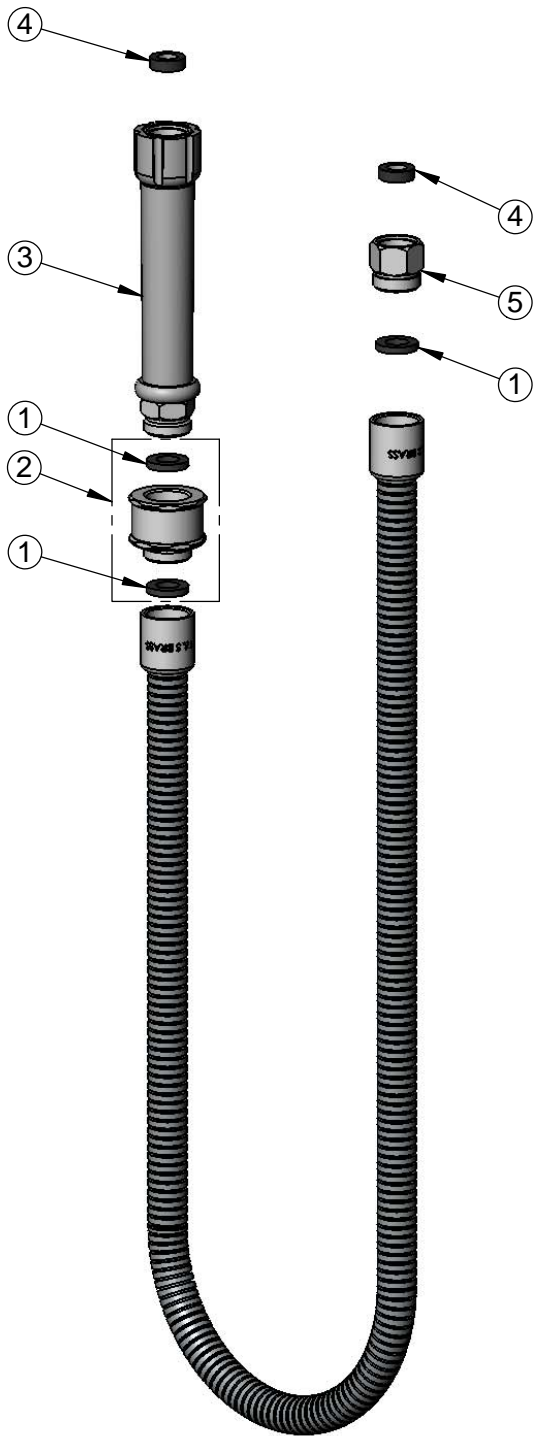


T&S BRASS AND BRONZE WORKS, INC.
 2 Saddleback Cove / P.O. Box 1088
 Travelers Rest, SC 29690

Model No.
B-0044-H-SWV
 Item No.

Travelers Rest, SC: 800-476-4103 • Simi Valley, CA: 800-423-0150 • Fax: 864-834-3518 • www.tsbrass.com

ITEM NO.	SALES NO.	DESCRIPTION
1	001014-45	Washer, B-0100 Hose Barrel
2	018200-40	Pre-Rinse Swivel
3	002987-40	Gray Grip Handle
4	010476-45	#27 Washer
5	000729-40	Nut, 7/8"-20 Male x 3/4"-14 Female



Product Specifications:
 44" Flexible Stainless Steel Hose w/ Inner Polyurethane Hose,
 Gray Handle & Pre-Rinse Swivel

Product Compliance:
 ASME A112.18.1 / CSA B125.1
 NSF 61 - Section 9
 NSF 372 (Low Lead Content)