



**T&S BRASS AND BRONZE WORKS, INC.**  
 2 Saddleback Cove / P.O. Box 1088  
 Travelers Rest, SC 29690

Model No.  
**B-0456-04-963VB**

Item No.

Travelers Rest, SC: 800-476-4103 • Simi Valley, CA: 800-423-0150 • Fax: 864-834-3518 • www.tsbrass.com

This Space for Architect/Engineer Approval

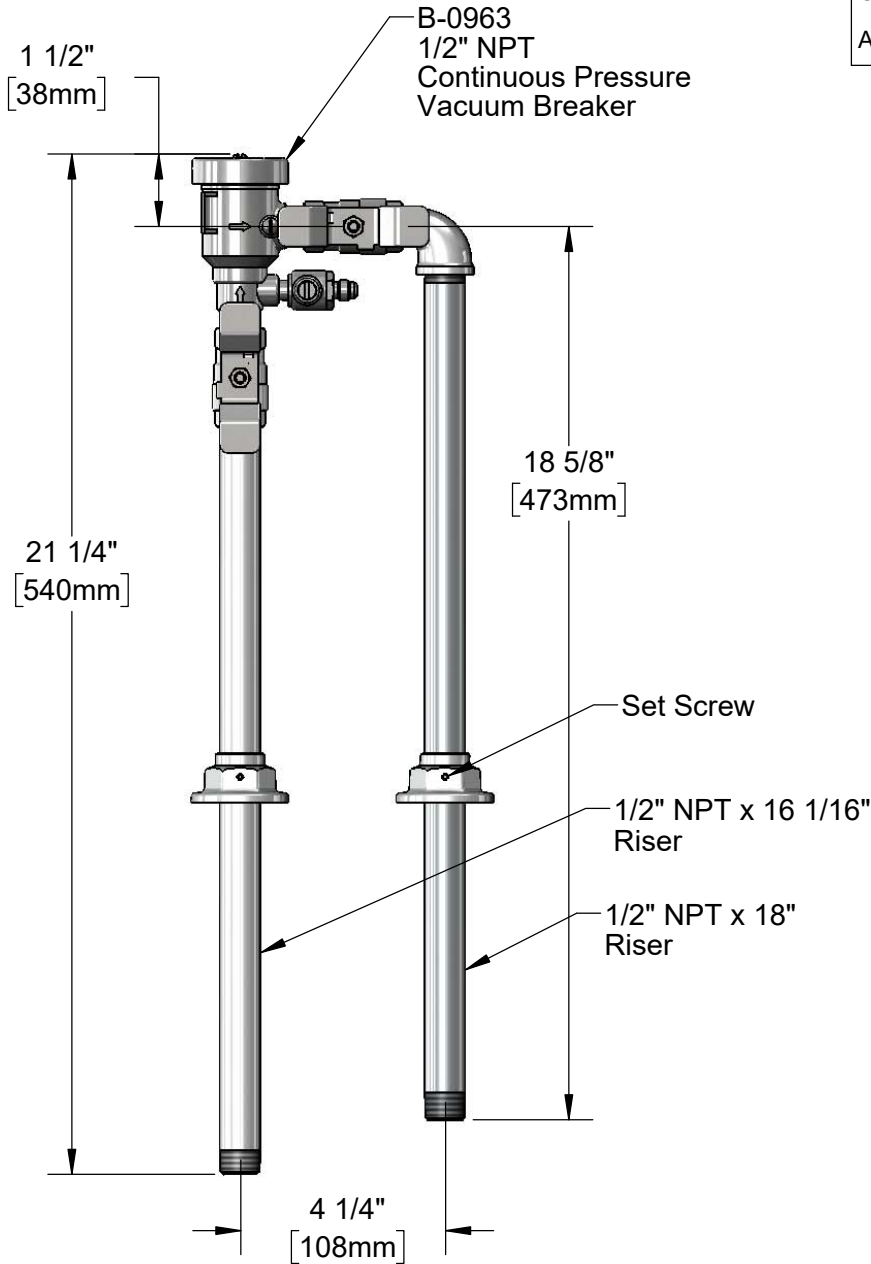
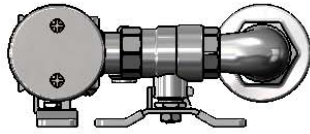
Job Name \_\_\_\_\_ Date \_\_\_\_\_

Model Specified \_\_\_\_\_ Quantity \_\_\_\_\_

Customer/Wholesaler \_\_\_\_\_

Contractor \_\_\_\_\_

Architect/Engineer \_\_\_\_\_



Ø2" [51mm]  
 Adjustable  
 Flanges

Note:  
 Pipe Must be Held  
 Rigid Under Sink by  
 Connection Fittings,  
 Brace, Etc.

Rough-In Requirement:  
 (2) Ø1 1/4" [32mm]  
 Mounting Holes

Product Specifications:  
**1/2" NPT Vacuum Breaker Unit**

Product Compliance:  
 ASME A112.18.1 / CSA B125.1  
 NSF 61 - Section 9  
 NSF 372 (Low Lead Content)  
 ASSE 1056 (VB)



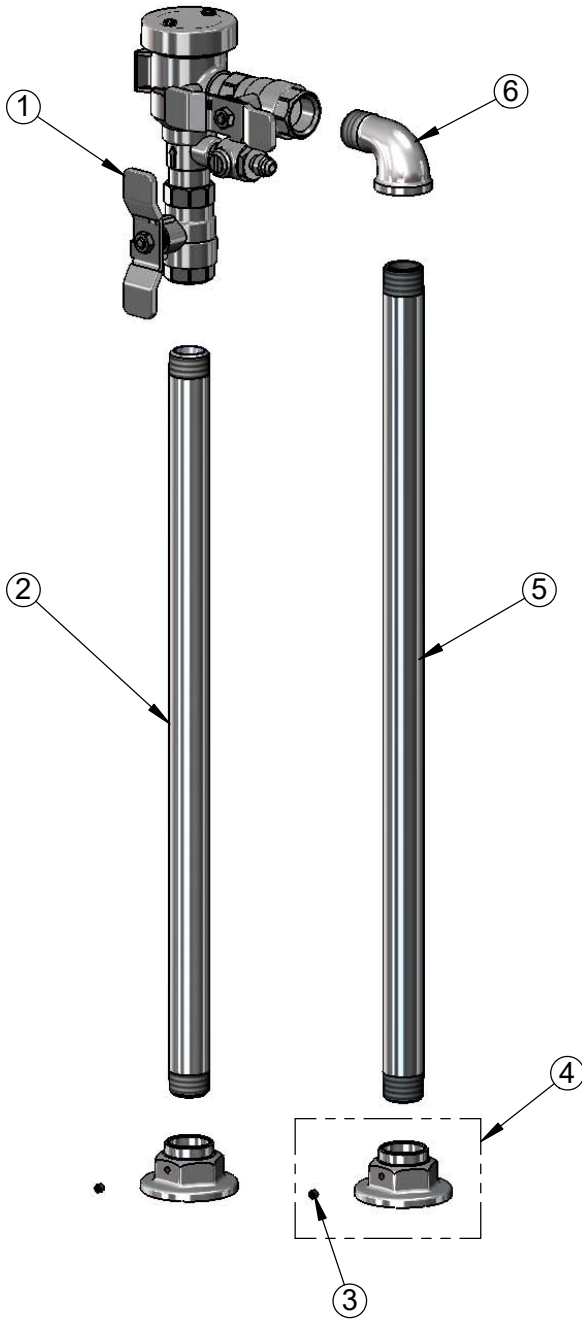
**T&S BRASS AND BRONZE WORKS, INC.**  
 2 Saddleback Cove / P.O. Box 1088  
 Travelers Rest, SC 29690

Model No.  
**B-0456-04-963VB**

Item No.

Travelers Rest, SC: 800-476-4103 • Simi Valley, CA: 800-423-0150 • Fax: 864-834-3518 • www.tsbrass.com

ITEM NO.	SALES NO.	DESCRIPTION
1	B-0963	1/2" NPT Continuous Pressure VB w/ Integral Check Valve
2	000433-40	1/2" NPT x 16 1/16" Riser
3	000939-45	Escutcheon, Set Screw
4	B-0460	1/2" NPT Slip Flange
5	013963-40	1/2" NPT x 18" Riser
6	150X	1/2" NPT Street Elbow



Product Specifications:  
 1/2" NPT Vacuum Breaker Unit

Product Compliance:  
 ASME A112.18.1 / CSA B125.1  
 NSF 61 - Section 9  
 NSF 372 (Low Lead Content)  
 ASSE 1056 (VB)