



T&S BRASS AND BRONZE WORKS, INC.
 2 Saddleback Cove / P.O. Box 1088
 Travelers Rest, SC 29690

Model No.
B-1210-01-WFK

Item No.

Travelers Rest, SC: 800-476-4103 • Simi Valley, CA: 800-423-0150 • Fax: 864-834-3518 • www.tsbrass.com



ADA Compliant

This Space for Architect/Engineer Approval

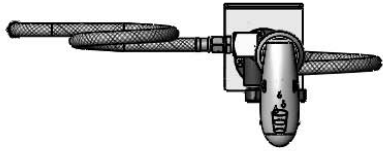
Job Name _____ Date _____

Model Specified _____ Quantity _____

Customer/Wholesaler _____

Contractor _____

Architect/Engineer _____



Dark Blue Lever Arm

Ø2" [51mm]
Adjustable Flange

3/8" NPT Street Elbow

3/8" Compression x 1/2" NPSM x
18" [457mm] Long Connector Hose

3/8" Compression x
20" [508mm] Long
Inlet Hose

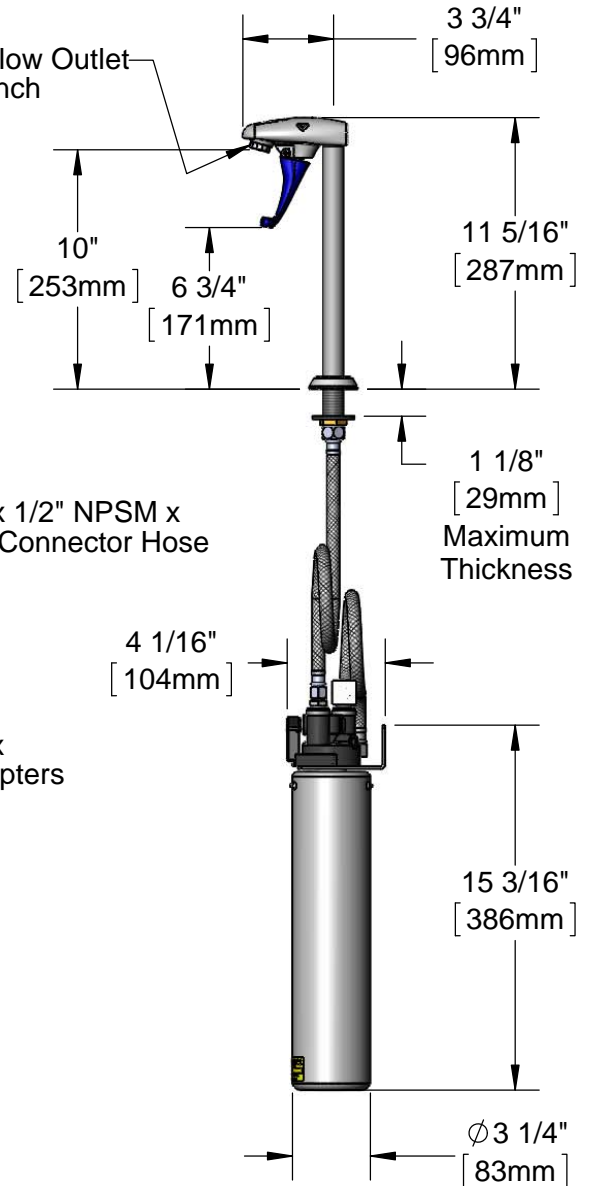
3/8" Compression x
3/8" NPT Male Adapters

Docking Station w/
Shut-off Lever

Allow for 2 5/8" [64mm]
Clearance Below for
Cartridge Removal

Replaceable
Filter Cartridge

Adjustable Flow Outlet
w/ Torx Wrench



Rough-In Requirement:
 Ø1" [25mm] Mounting Hole

Product Specifications:
 10" Pedestal Type Glass Filler w/ Water Filtration Kit

Product Compliance:
 ASME A112.18.1 / CSA B125.1
 NSF 61 - Section 9
 NSF 372 (Low Lead Content)
 ANSI A117.1 (ADA)

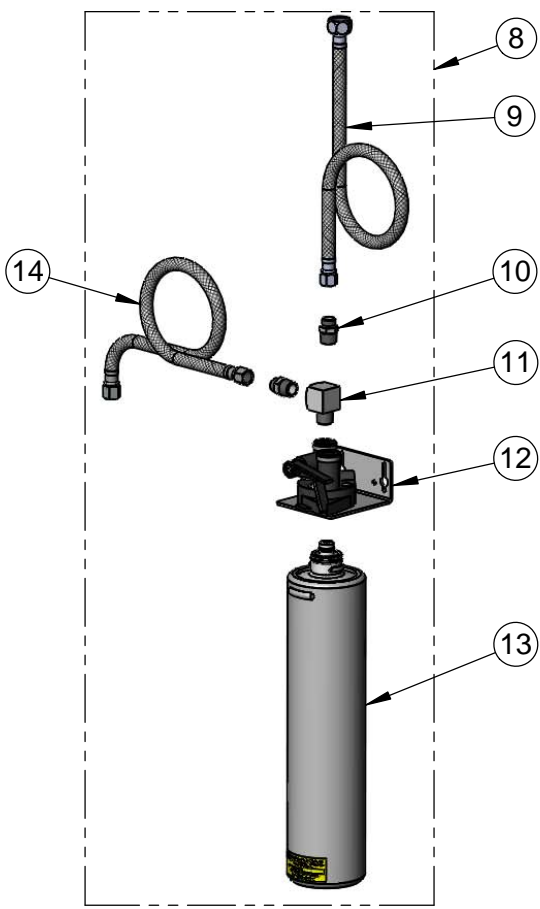
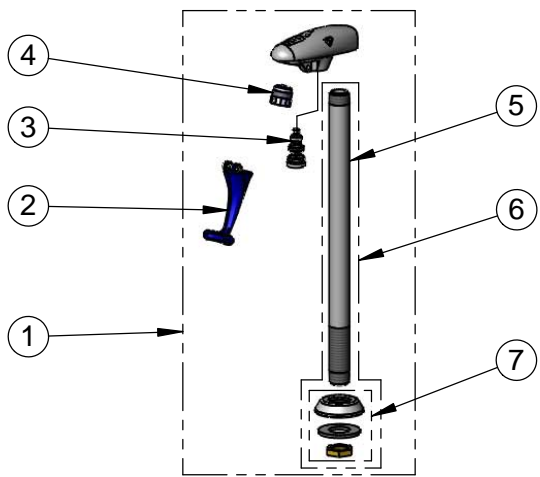


T&S BRASS AND BRONZE WORKS, INC.
 2 Saddleback Cove / P.O. Box 1088
 Travelers Rest, SC 29690

Model No.
B-1210-01-WFK
 Item No.

Travelers Rest, SC: 800-476-4103 • Simi Valley, CA: 800-423-0150 • Fax: 864-834-3518 • www.tsbrass.com

ITEM NO.	SALES NO.	DESCRIPTION
1	B-1210-01	10" Pedestal Type Glass Filler
2	015550-45	Lever Arm Repair Kit
3	015589-40	Valve
4	015588-40	Adjustable Outlet w/ Torx Wrench
5	015888-40	B-1210-01 Pedestal
6	015889-40	Pedestal
7	016783-40	Adjustable Deck Flange Repair Kit
8	B-WKF	Water Filtration Kit
9	5EF-0005	Supply Hose, 9/16-24 Female x 1/2" NPSM
10	006101-45	Adapter, 3/8" NPT x 9/16"-24 UN Male
11	148X	3/8 Street Elbow
12	B-WFDS	Water Filtration Docking Station
13	B-WFC	Filter Cartridge
14	013146-45	Supply Hose, 9/16-24 Fem (3/8" Compression)



016640-45
 T-45 Torx Wrench
 for Adjustable Outlet

Product Specifications:
 10" Pedestal Type Glass Filler w/ Water Filtration Kit

Drawn: DHL Checked: JRM Approved: JHB Date: 04/12/16

Product Compliance:
 ASME A112.18.1 / CSA B125.1
 NSF 61 - Section 9
 NSF 372 (Low Lead Content)
 ANSI A117.1 (ADA)

Scale: NTS Sheet: 2 of 2