



T&S BRASS AND BRONZE WORKS, INC.
 2 Saddleback Cove / P.O. Box 1088
 Travelers Rest, SC 29690

Model No.
B-1439-BF12-C12

Item No.

Travelers Rest, SC: 800-476-4103 • Simi Valley, CA: 800-423-0150 • Fax: 864-834-3518 • www.tsbrass.com

This Space for Architect/Engineer Approval

Job Name _____ Date _____

Model Specified _____ Quantity _____

Customer/Wholesaler _____

Contractor _____

Architect/Engineer _____

114X
 12" Big-Flo Swing
 Nozzle w/ Plain
 End Outlet

B-0963
 Continuous Pressure
 Vacuum Breaker w/
 Integral Check Valve

3/8" NPT x 36"
 Flexible Water
 Connector

3/8" NPT x 40" Riser

Stainless Steel
 Quick Disconnect

(2) B-0109-07
 Wall Brackets

Control Valve

3/8" NPT x 8" Riser

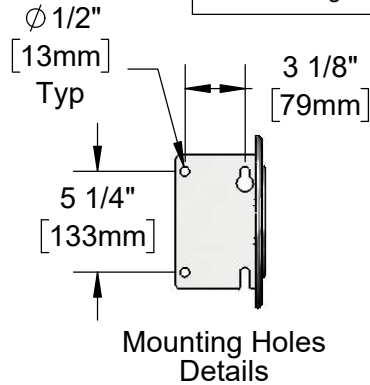
Item Not Shown
 for Clarity

10 11/16"
 [271mm]

8"
 [203mm]
 Adjustable From
 7 3/4" to 8 1/4"
 [197mm to 210mm]

Big-Flo Cartridges
 & 4-Arm Handles
 w/ Color Coded
 Indexes

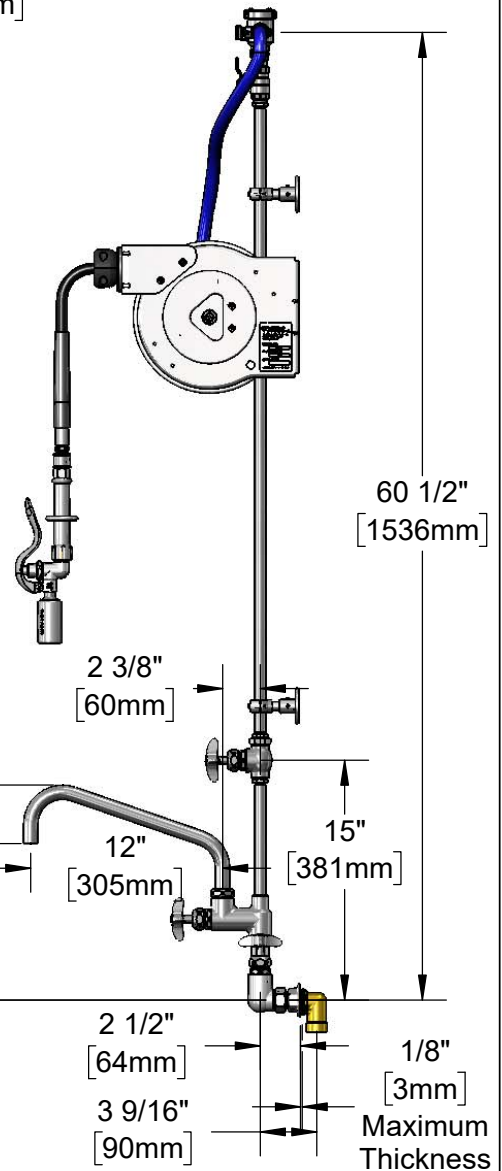
Ø 2" [51mm] Flanges
 Faucet Body w/
 Integral Check Valves
 3/4" NPT Female
 Inlet Elbows



Open Stainless Steel
 Hose Reel w/ 12' of
 3/8" Hose

019652-40
 3/8" NPT
 Live Swivel

B-0107-C
 0.65 GPM
 Low Flow
 Spray Valve



Product Specifications:

Open Stainless Steel Hose Reel w/ 12' of 3/8" Hose, Big-Flo Faucet w/ Integral Check Valves, Big-Flo Add-On Faucet, 12" Big-Flo Swing Nozzle w/ Plain End Outlet, 0.65 GPM Low Flow Spray Valve w/ Swivel, Vacuum Breaker, 3/8" NPT Flexible Water Connector & Control Valve

Product Compliance:

NSF 61 Exempt (Non-Potable)
 EPA WaterSense (PRSV)
 ASSE 1056 (VB)

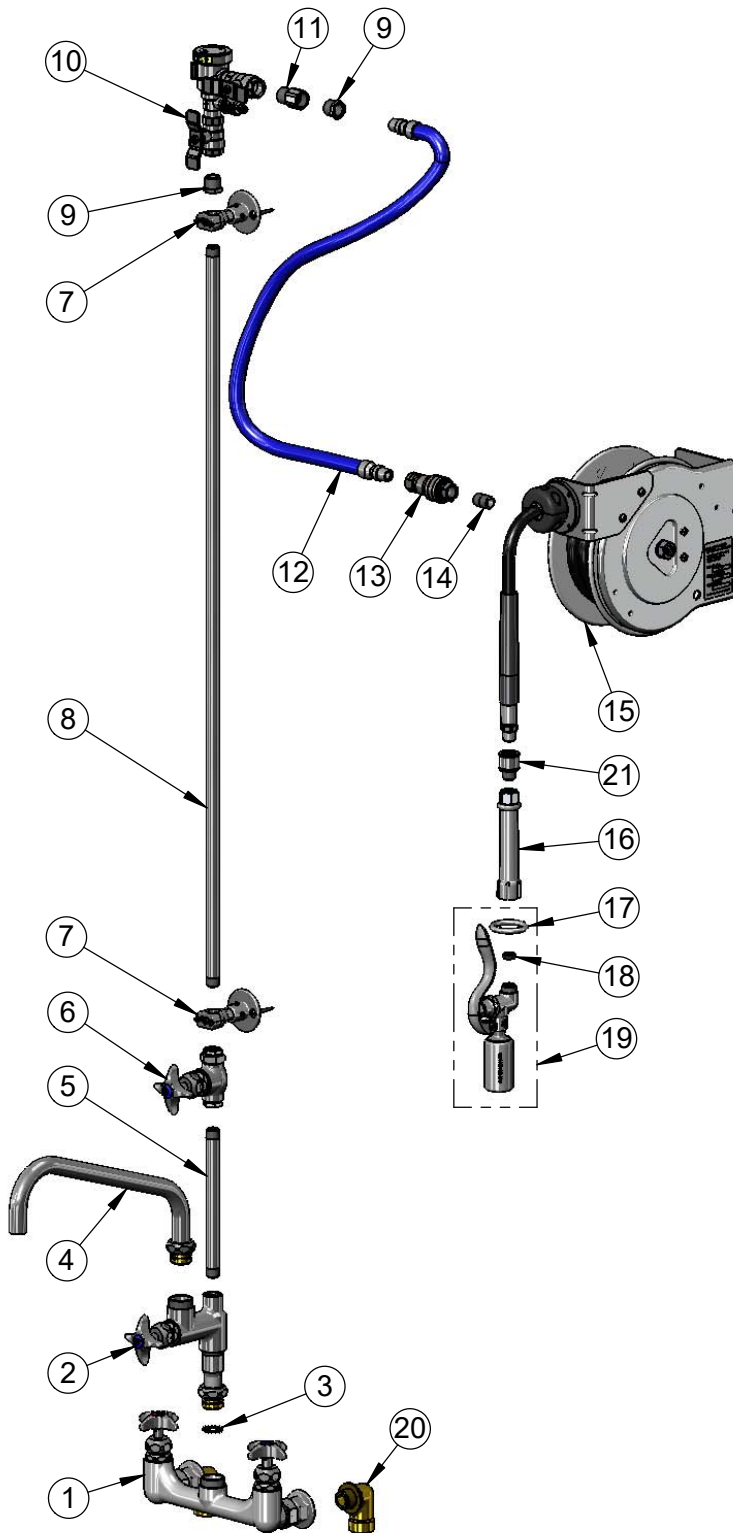


T&S BRASS AND BRONZE WORKS, INC.
 2 Saddleback Cove / P.O. Box 1088
 Travelers Rest, SC 29690

Model No.
B-1439-BF12-C12

Item No.

Travelers Rest, SC: 800-476-4103 • Simi Valley, CA: 800-423-0150 • Fax: 864-834-3518 • www.tsbrass.com



ITEM NO.	SALES NO.	DESCRIPTION
1	002840-40CV	Big-Flo Faucet w/ Integral Check Valves
2	B-0286-LNEZ	Big-Flo EasyInstall Add-On Faucet
3	016807-45	Serrated Lock Washer
4	114X	12" Big-Flo Swing Nozzle
5	078X	3/8" NPT x 8" Riser
6	0RK3	Control Valve
7	B-0109-07	2 3/8" Wall Bracket
8	002558-40	3/8" NPT x 40" Riser
9	001359-40	1/2" NPT Male x 3/8" NPT Female Hex Bushing
10	B-0963	1/2" NPT Continuous Pressure VB w/ Integral Check Valve
11	015073-40	Check Valve w/ 1/2" NPT Adapter
12	HW-2B-36	3/8" NPT x 36" Flexible Water Hose
13	AW-5B	3/8" NPT Quick Disconnect
14	002535-25	3/8" Close Nipple
15	B-7102	Open Stainless Steel Reel w/ 12' of 3/8" Hose
16	002881-40	Grip Handle
17	000907-45	Spray Valve Hold Down Ring
18	010476-45	#27 Washer
19	B-0107-C	0.65 GPM Low Flow Spray Valve
20	00LL	3/4" Short Elbow Inlet
21	019652-40	3/8" NPT Live Swivel

Product Specifications:

Open Stainless Steel Hose Reel w/ 12' of 3/8" Hose, Big-Flo Faucet w/ Integral Check Valves, Big-Flo Add-On Faucet, 12" Big-Flo Swing Nozzle w/ Plain End Outlet, 0.65 GPM Low Flow Spray Valve w/ Swivel, Vacuum Breaker, 3/8" NPT Flexible Water Connector & Control Valve

Product Compliance:

NSF 61 Exempt (Non-Potable)
 EPA WaterSense (PRSV)
 ASSE 1056 (VB)