



T&S BRASS AND BRONZE WORKS, INC.

2 Saddleback Cove / P.O. Box 1088
Travelers Rest, SC 29690

Model No.

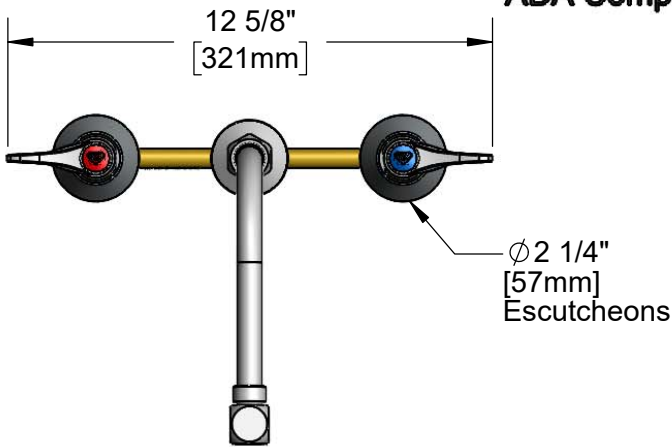
B-2853-RSW

Item No.

Travelers Rest, SC: 800-476-4103 • Simi Valley, CA: 800-423-0150 • Fax: 864-834-3518 • www.tsbrass.com



ADA Compliant



This Space for Architect/Engineer Approval

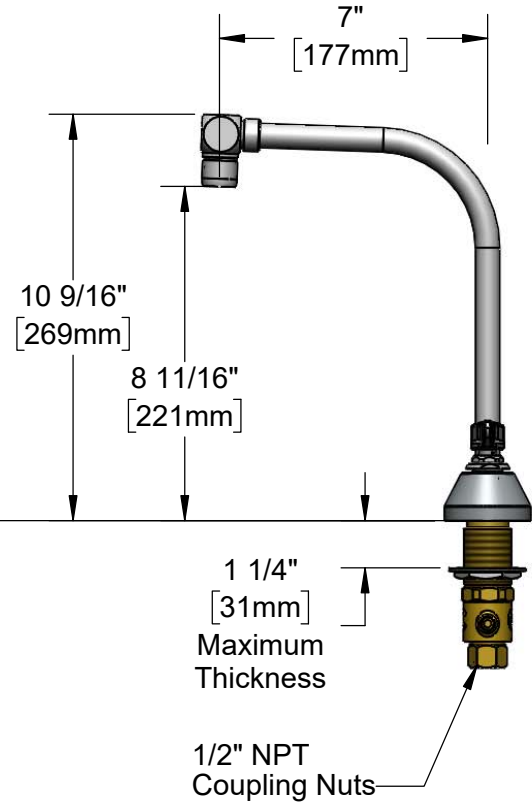
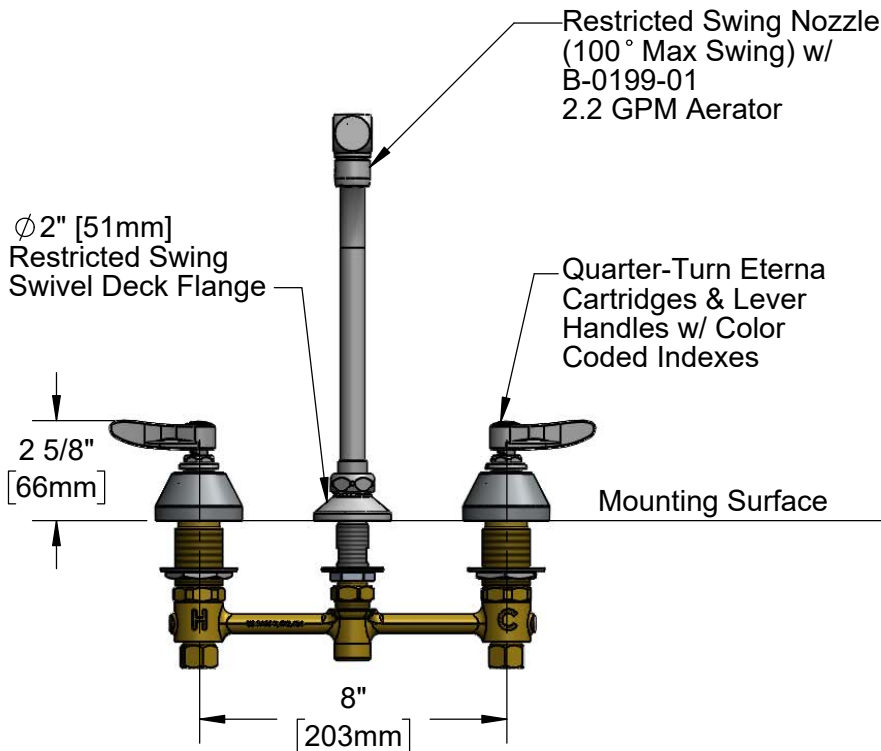
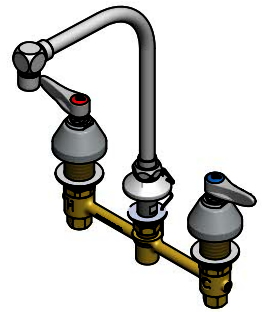
Job Name _____ Date _____

Model Specified _____ Quantity _____

Customer/Wholesaler _____

Contractor _____

Architect/Engineer _____



Rough-In Requirement:
Center Shank: Ø 1" [25mm] Mounting Hole
Hot/Cold Side: Ø 1 1/2" [38mm] Mounting Holes

Product Specifications:

EasyInstall 8" Concealed Widespread Mixing Faucet, Quarter-Turn Eterna Cartridges w/ Spring Checks, Lever Handles & High Rise Restricted Swing Nozzle w/ 2.2 GPM Aerator

Product Compliance:

ASME A112.18.1 / CSA B125.1
NSF 61 - Section 9
NSF 372 (Low Lead Content)
ANSI A117.1 (ADA)

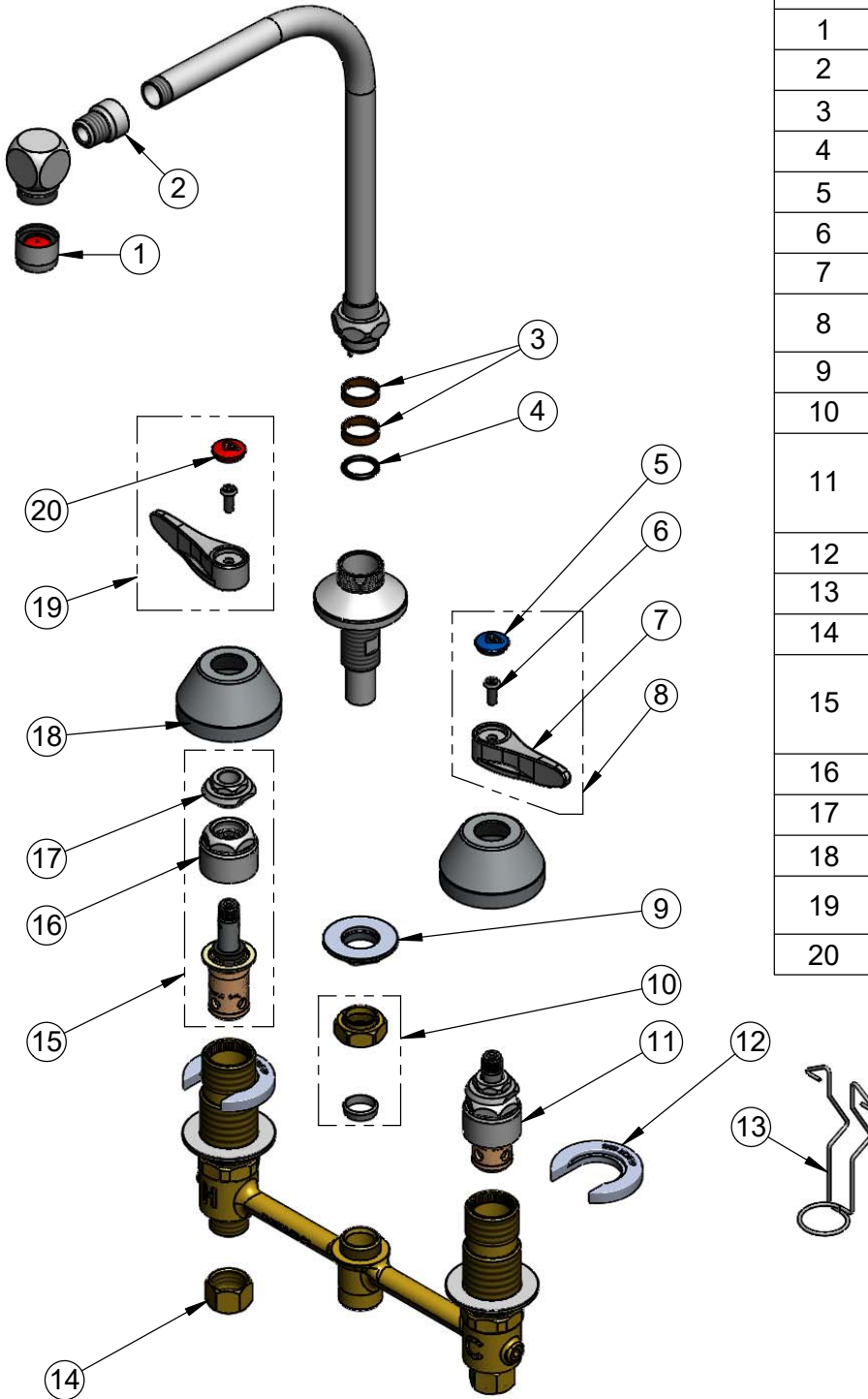


T&S BRASS AND BRONZE WORKS, INC.
 2 Saddleback Cove / P.O. Box 1088
 Travelers Rest, SC 29690

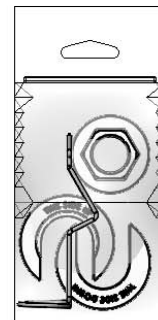
Model No.
B-2853-RSW

Item No.

Travelers Rest, SC: 800-476-4103 • Simi Valley, CA: 800-423-0150 • Fax: 864-834-3518 • www.tsbrass.com



ITEM NO.	SALES NO.	DESCRIPTION
1	B-0199-01	2.2 GPM Aerator
2	000564-25	Adapter
3	011429-45	Swivel Sleeve (2)
4	001074-45	O-Ring
5	018506-19NS	Blue Button Index, Press-in
6	000925-45	Lab Handle Screw
7	001638-45NS	Lever Handle (New Style)
8	001636-45NS	Lever Handle, Blue Index & Screw
9	016742-45	Center Flange Nut
10	016745-45	Compression Nut & Fitting
11	016752-40NS	EasyInstall, CWS Quarter-Turn Eterna Cartridge w/ Spring Check, LTC
12	016749-45	C-Washer
13	016777-45	CWS Hanger
14	000958-20	Coupling Nut
15	016753-40NS	EasyInstall, CWS Quarter-Turn Eterna Cartridge w/ Spring Check, RTC
16	016743-25	CWS Bonnet Assembly
17	009002-40NS	Packing Nut Assembly
18	001257-40NS	Bell Escutcheon
19	001637-45NS	Lever Handle, Red Index & Screw
20	001193-19NS	Red Button Index, Press-in



017245-40
 Installation Repair Kit
 Includes #9, (2)#12, & #13

Product Specifications:
 EasyInstall 8" Concealed Widespread Mixing Faucet, Quarter-Turn Eterna Cartridges w/ Spring Checks, Lever Handles & High Rise Restricted Swing Nozzle w/ 2.2 GPM Aerator

Product Compliance:
 ASME A112.18.1 / CSA B125.1
 NSF 61 - Section 9
 NSF 372 (Low Lead Content)
 ANSI A117.1 (ADA)