



T&S BRASS AND BRONZE WORKS, INC.
 2 Saddleback Cove / P.O. Box 1088
 Travelers Rest, SC 29690

Model No.
B-2866-05FC-CR

Item No.

Travelers Rest, SC: 800-476-4103 • Simi Valley, CA: 800-423-0150 • Fax: 864-834-3518 • www.tsbrass.com



ADA Compliant

This Space for Architect/Engineer Approval

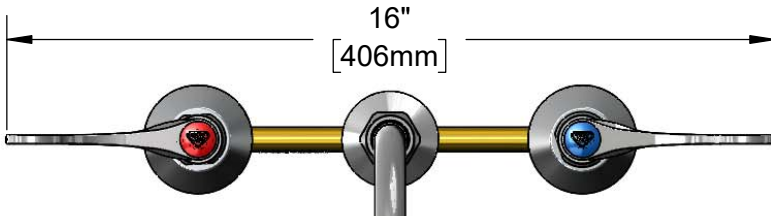
Job Name _____ Date _____

Model Specified _____ Quantity _____

Customer/Wholesaler _____

Contractor _____

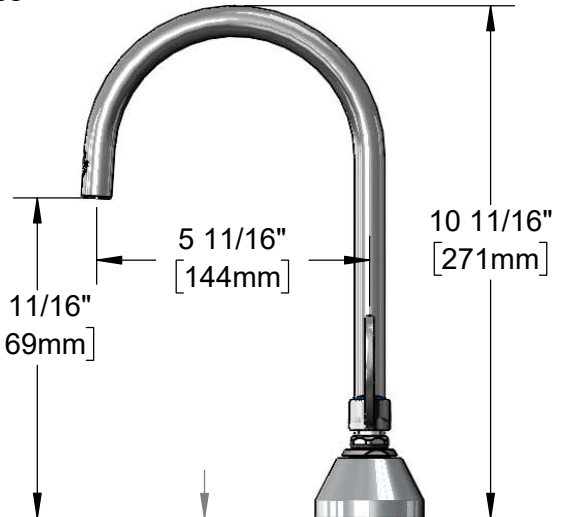
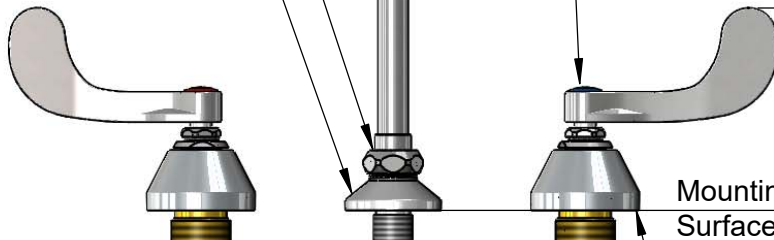
Architect/Engineer _____



133XP-F15
 Swivel Gooseneck w/
 1.5 GPM Flow Control Device.
 Rigid Conversion Requires
 014200-45 Lock Washer
 (Included)

Swivel Joint
 $\phi 2''$
 [51mm]
 Swivel Deck
 Flange

Quarter-Turn
 Cerama Cartridges w/
 Check Valves &
 4" Wrist Action Handles
 w/ Color Coded Indexes



6 11/16"
 [169mm]

Mounting
 Surface

$\phi 2 \frac{1}{4}''$
 [57mm]
 Escutcheons

1 1/4"
 [31mm]
 Maximum
 Thickness

8"
 [203mm]

1/2" NPT
 Male Inlets w/
 Coupling Nuts

Rough-In Requirement:
 Center Shank: $\phi 1''$ [25mm] Mounting Hole
 Hot/Cold Side: $\phi 1 \frac{1}{2}''$ [38mm] Mounting Holes

Product Specifications:
 8" Deck Mount EasyInstall Mixing Faucet, Quarter-Turn Cerama Cartridges w/
 Check Valves, 4" Wrist Action Handles, 5 11/16" Swivel/Rigid Gooseneck w/
 Plain End Outlet, 1.5 GPM Flow Control Device & 1/2" NPT Male Inlets

Product Compliance:
 ASME A112.18.1 / CSA B125.1
 NSF 61 - Section 9
 NSF 372 (Low Lead Content)
 ANSI A117.1 (ADA)



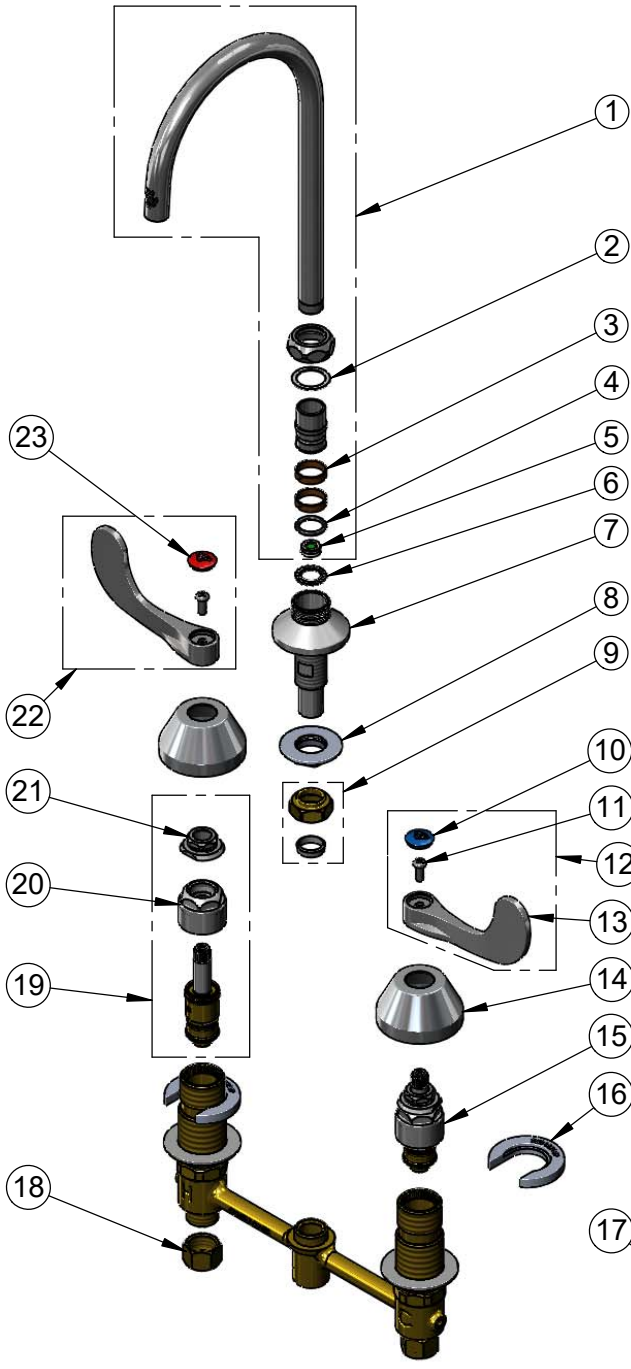
T&S BRASS AND BRONZE WORKS, INC.
 2 Saddleback Cove / P.O. Box 1088
 Travelers Rest, SC 29690

Model No.
B-2866-05FC-CR

Item No.

Travelers Rest, SC: 800-476-4103 • Simi Valley, CA: 800-423-0150 • Fax: 864-834-3518 • www.tsbrass.com

ITEM NO.	SALES NO.	DESCRIPTION
1	133XP-F15	6" Swivel Gooseneck w/ 1.5 GPM Flow Control Device
2	009538-45	Swivel Washer
3	011429-45	Swivel Sleeves (2)
4	001074-45	O-Ring
5	FD15	Flow Disc, 1.5 GPM [5.68 L/MIN]
6	014200-45	Star Washer, Anti-Rotation
7	016754-40NS	EasyInstall CWS Swivel Center (New Style)
8	016742-45	Center Flange Nut
9	016745-45	Compression Nut & Fitting
10	018506-19NS	Blue Button Index, Press-in
11	000925-45	Lab Handle Screw
12	B-WH4C-NS	Wrist Action Handle, Blue Index & Screw
13	B-WH4-NS	Wrist Action Handle - New Style
14	001257-40NS	Bell Escutcheon
15	016768-25NS	EasyInstall, CWS Quarter-Turn Cerama Cartridge w/ Check Valve, LTC
16	016749-45	Sidebody C-Washer
17	016777-45	CWS Hanger
18	000958-20	Coupling Nut
19	016767-25NS	EasyInstall, CWS Quarter-Turn Cerama Cartridge w/ Check Valve, RTC
20	016743-25	CWS Bonnet
21	009002-40NS	Packing Assembly (New Style)
22	B-WH4H-NS	Wrist Action Handle, Red Index & Screw
23	001193-19NS	Red Button Index, Press-in



017245-40
 Installation Repair Kit
 Includes #8, (2)#16 & #17

Product Specifications:
 8" Deck Mount EasyInstall Mixing Faucet, Quarter-Turn Cerama Cartridges w/ Check Valves, 4" Wrist Action Handles, 5 11/16" Swivel/Rigid Gooseneck w/ Plain End Outlet, 1.5 GPM Flow Control Device & 1/2" NPT Male Inlets

Product Compliance:
 ASME A112.18.1 / CSA B125.1
 NSF 61 - Section 9
 NSF 372 (Low Lead Content)
 ANSI A117.1 (ADA)