



T&S BRASS AND BRONZE WORKS, INC.
 2 Saddleback Cove / P.O. Box 1088
 Travelers Rest, SC 29690

Model No.

EW-8904

Item No.

Travelers Rest, SC: 800-476-4103 • Simi Valley, CA: 800-423-0150 • Fax: 864-834-3518 • www.tsbrass.com

This Space for Architect/Engineer Approval

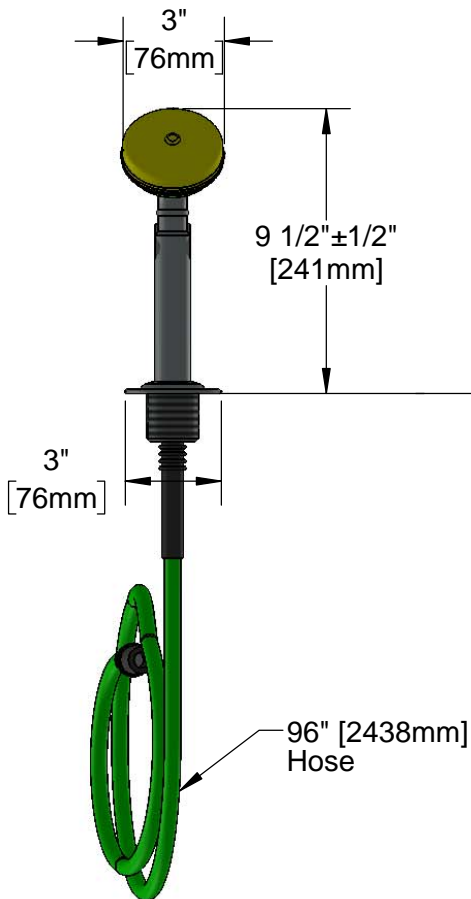
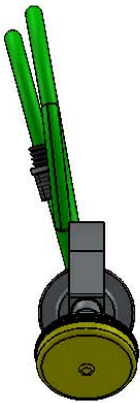
Job Name _____ Date _____

Model Specified _____ Quantity _____

Customer/Wholesaler _____

Contractor _____

Architect/Engineer _____



1 1/4"
[32mm]
Maximum
Thickness

1/2" NPT
Male End

Swivel Fitting

Product Specifications:

Laboratory Eye/Face Wash with 45° Head Position, Stay Open Squeeze Lever Valve, 96" Rubber Hose, Deck Flange and 1/2" NPT Male Inlet

Product Compliance:

ANSI Z358.1 (Latest Revision)
 NSF 61 Exempt (Non-Potable)